



**International fibreboard  
case code**

**Code international pour  
emballage carton**

**Internationaler code für  
versandverpackung**

**Codice internazionale per  
imballaggi in cartone ondulato**

**Código internacional para  
cajas de cartón ondulado**

**FEFCO**  
European Federation of  
Corrugated Board Manufacturers














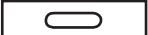
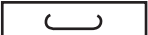




# International fibreboard case code

This Code has been developed by FEFCO and ESBO as an official system to substitute long and complicated verbal descriptions of fibreboard case and packaging constructions with simple symbols internationally understood by all, regardless of language and other differences.

The references may be used in orders and specifications for packing cases. Additions and modifications may only be made by FEFCO and ESBO.

## Symbols used in drawings and computer systems

Drawing symbol	Computer code	Description
<b>Cuts, scores, slits etc.</b>		
	<b>CL</b>	contours of erected cases or cutting lines of case blanks
	<b>SC</b>	slotted cuts
	<b>CI</b>	crease lines (inward bend)
	<b>CO</b>	crease lines (outward bend)
	<b>SI</b>	slit-score lines (inward bend)
	<b>SO</b>	slit-score lines (outward bend)
	<b>DS</b>	double-score lines
	<b>PL</b>	perforation lines
	<b>SE</b>	soft edge cutting lines
	<b>TP</b>	tear perforation
<b>Manufacturer's joint</b>		
	<b>SJ</b>	stitched joint.
	<b>TJ</b>	taped Joint
	<b>GJ</b>	glued joint
<b>Openings</b>		
	<b>PC</b>	handholds stripped
	<b>UC</b>	handholds non-stripped
	<b>NC</b>	handholds non-stripped
<b>Flute direction</b>		
	<b>FD</b>	flute direction indicator

**The layouts of the styles in this Code are always viewed from the inside of the case.**

**Case dimensions**

Unless otherwise specified all dimensions are expressed as internal dimensions in mm as follows:

Length (L) x Breadth (B) x Height (H)  
 Length (L) = the longer dimension at the opening  
 Breadth (B) = the shorter dimension at the opening  
 Height (H) = the dimension from the top of the opening to the base

The dimensions L, B, H are specified in each description of the case construction, for some models the numerical value of B can exceed the numerical value of L. Dimensions should be measured under standard climatic conditions, on the flat blank from the centre of crease bearing the thickness of the material in mind. For telescope-type boxes the height (h) of the upper part (lid) should be given as a fourth measurement after an oblique stroke, i.e.

355 x 205 x 120/40 mm  
 (L) (B) (H) (h)

For cases with overlapping outer flaps the length of the area of overlapping (o) should be given as a fourth measurement after an oblique stroke, i.e.

355 x 205 x 120/40 mm  
 (L) (B) (H) (o)

**Sheet dimensions**

Unless otherwise specified, the dimensions of a corrugated sheet are expressed in mm as follows:

1<sup>st</sup> dimension x 2<sup>nd</sup> dimension  
 1<sup>st</sup> dimension = along the glue lines  
 2<sup>nd</sup> dimension = across the glue lines

**Style versions**

Several case types may have derived versions without the necessity to create a new style. In this case a suffix should be added to the basic style number, separated by a dash.

Example: 0201-2.

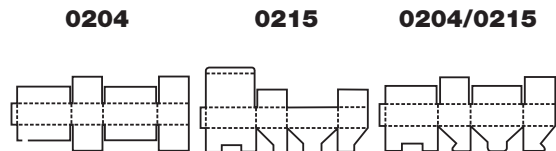
A version may be unique to individual manufacturers.

**Combination of types**

The construction styles shown are of the basic types of fibreboard cases. If the ultimate construction is a combination of two or three basic models, e.g. flap arrangements, they may also be described as follows:

Top flaps as 0204, Bottom flaps as 0215

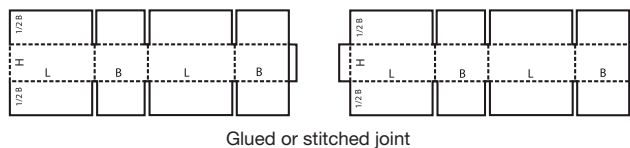
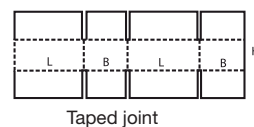
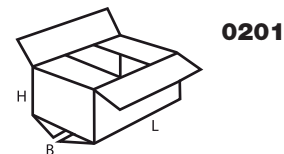
This type may also be described as 0204/0215 (Top flaps. Bottom flaps).



**Styles and the manufacturers joint**

The drawing style layouts as shown in this Code may need to be re-arranged depending on the Manufacturers Joint chosen. Some styles may have a Manufacturers Joint which may be glued, stitched or taped. A glued or stitched Joint may be an extension of either the short or the long panel. The sketches show how these would be indicated on a drawing:

Example for all styles:



This applies to all designs in this Code.

**Manual or Automated erection**

Each design style includes one of the following indications:

- M - usually manual erection
- A - usually automated erection
- M/A - can be either manual or automated
- M+A - requires a combination of both

This indications are based on current practice and are intended to give additional information to specifiers and users. Some manually erected cases can be closed automatically (e.g : 0216 or 0712)

# Description of basic type groups\*

\*The terms Box, Container and Case are interchangeable in the context of these descriptions.

## General remarks

Please note that several case designs contained in the Code under a specific number could also be classified under other basic type groups.

## 01 - Commercial rolls and sheets

## 02 - Slotted-type boxes

Slotted-type boxes consist of basically one piece with a glued, stitched or taped manufacturers joint and top and bottom flaps. They are shipped flat, ready to use and require closing using the flaps provided.

## 03 - Telescope-type boxes

Telescope-type boxes consist of more than one piece and are characterised by a lid and/or bottom telescoping over the body of the box.

## 04 - Folder-type boxes and trays

Folder-type boxes and trays usually consist of only one piece of board. The bottom of the box is hinged to form two or all side walls and the cover. Locking tabs, handles, display panels etc., can be incorporated in some designs.

## 05 - Slide-type boxes

Slide-type boxes consist of several pieces of liners and sleeves sliding in different directions into each other. This group also includes outside sleeves for other cases.

## 06 - Rigid-type boxes

Rigid-type boxes consist of two separate end pieces and a body and require stitching or a similar operation before they can be used.

## 07 - Ready-glued cases

Ready-glued cases consist of basically one piece, are shipped flat and ready to use by simple setting up.

## 09 - Interior fitments

Interior fitments such as inside liners, pads, partitions, dividers etc., whether tied to Case Design or as singular items. Any shown number of panels is arbitrary and may be increased or decreased as required.

## Writing of the style code

Full code: XXXX-XXXX	
Style	Style version
XXXX	-XXXX
The standard recognised shape/design from this code.	The version number to differentiate the variation from the standard design (corresponding to an individual drawing or CAD/CAM library).

## Closure of boxes

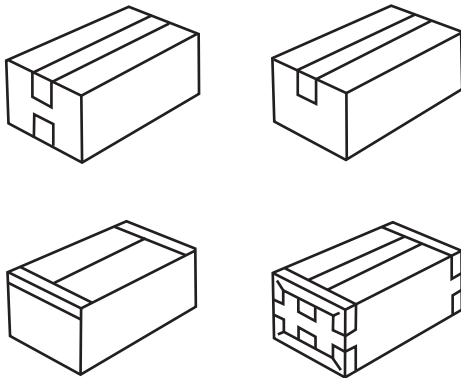
Correct and effective closure of the packages is as important as the packaging construction itself.

The following methods of closure are possible either singly or in combination:

- by gluing, cold or hot
- by taping
- by interlocking
- by stitching

### Closing by taping

This can be done according to the examples shown.



### Closing by stitching

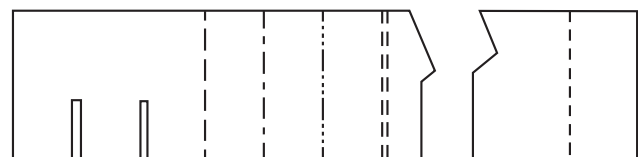
This can be done according to the examples shown.



## Coding of interior fitments

The following range of interior fitments is coded depending on the number of panels used, in any combination of shapes (for computer systems).

Number of panels		CODE
2	>	0982
3	>	0983
4	>	0984
5	>	0985
6	>	0986
7	>	0987
8	>	0988
9	>	0989
10	>	0990
11	>	0991
12	>	0992
13	>	0993
14	>	0994
15	>	0995
16	>	0996
17	>	0997
18	>	0998
19	>	0999

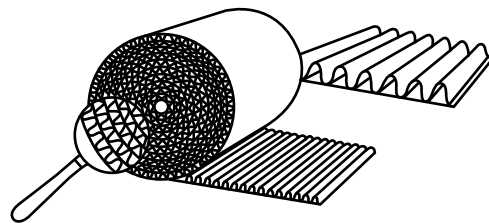


**0982/0999**  
**M**

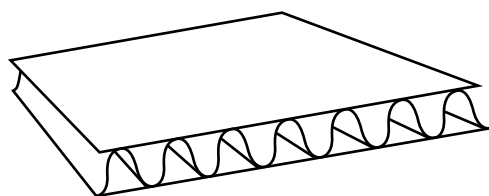
# 0100

- ▲ **Commercial rolls and sheets**
- ▲ **Bobines, feuilles ou plaques commerciales.**
- ▲ **Handelsübliche Rollen und Tafeln**
- ▲ **Bobine e fogli pronti per vendita**
- ▲ **Rollos y planchas comerciales**

## 0100



## 0110



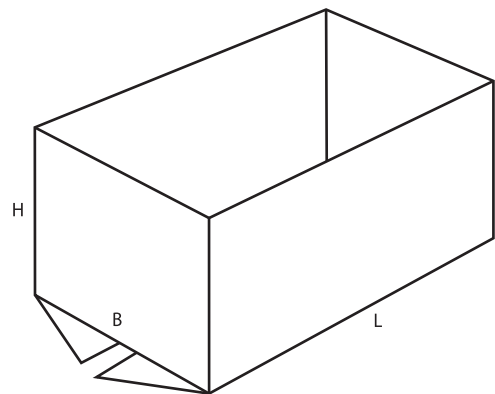
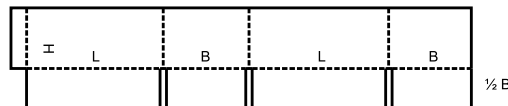
# 0200

- ▲ **Slotted-type boxes** consist of basically one piece with a glued, stitched or taped manufacturers joint and top and bottom flaps. They are shipped flat, ready to use and require closing using the flaps provided.
- ▲ **Caisses à rabats**, d'une seule pièce, avec joint d'assemblage collé, agrafé ou à bande gommée. Elles sont livrées à plat, prêtes à l'emploi et nécessitent d'être fermées.
- ▲ **Faltschachteln (Faltkisten)** bestehen in der Regel aus einem Stück mit einer durch Laschenklebung, Drahtheftung bzw. Klebestreifen verbundenen Fabrikante sowie Deckel- und Bodenklappen. Sie werden flach zusammengefaltet versandt, sind

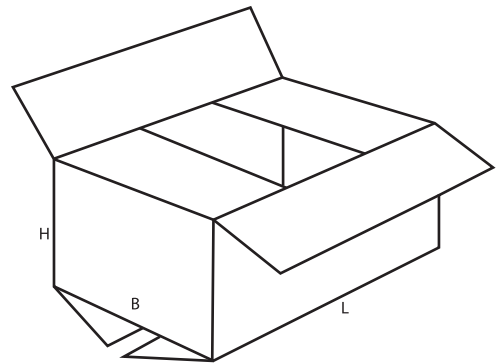
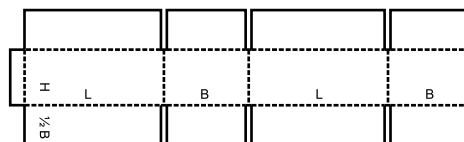
gebrauchsfertig und werden anhand der Klappen verschlossen.

- ▲ **Case a falde**: Scatole americane costruite in un singolo pezzo base con la giunta incollata, cucita o nastrata e con falde superiori e inferiori. Sono consegnate stese, pronte da utilizzare e richiedono chiusura tramite le apposite falde.
- ▲ **Cajas de tipo ranurado**: consisten básicamente en una pieza con juntas de fabricación encolada, cosida o pegada con cinta y solapas superiores e inferiores. Se despachan extendidas en un plano, listas para su uso y se cierran utilizando las solapas superiores e inferiores.

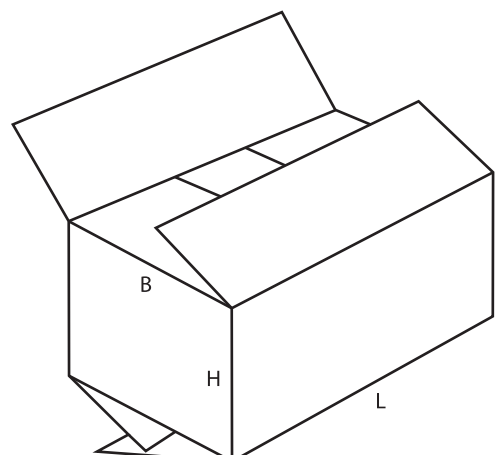
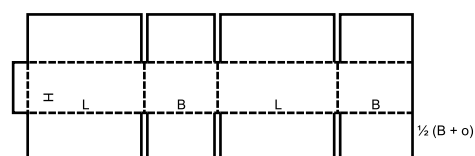
## 0200 M/A



## 0201 M/A

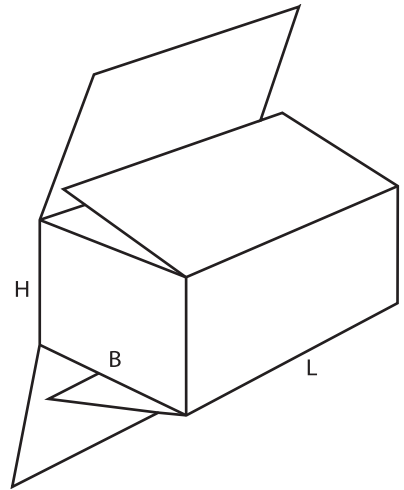
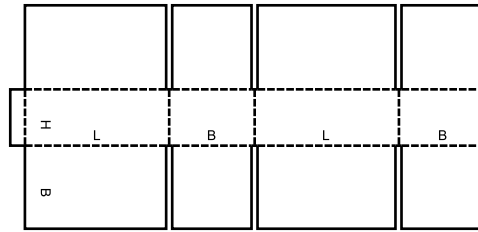


## 0202 M/A



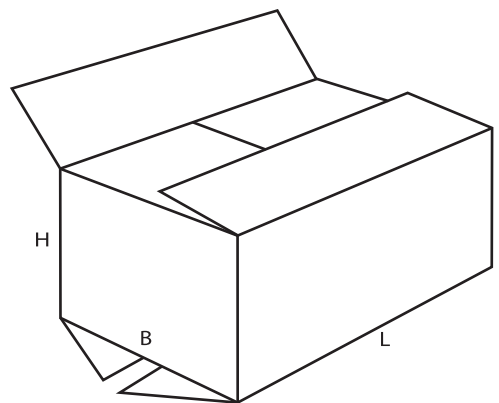
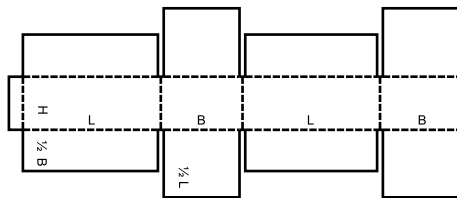
0203

M/A



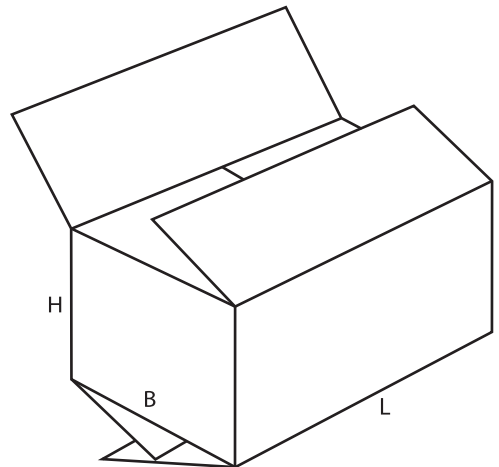
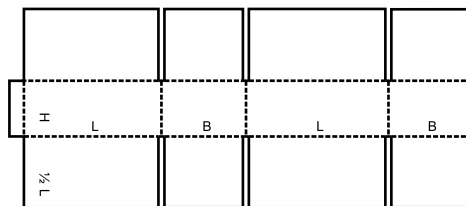
0204

M/A



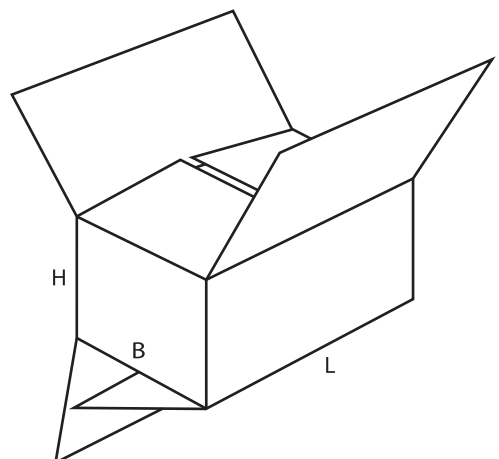
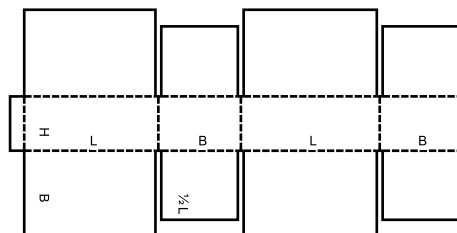
0205

M/A



0206

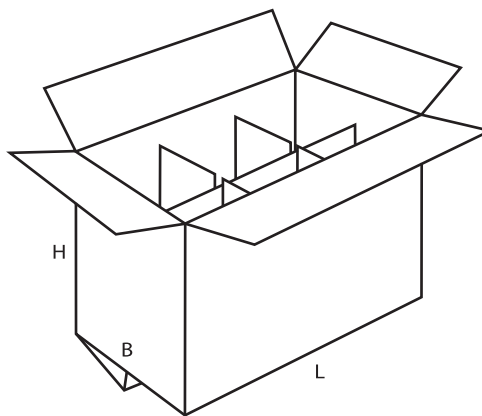
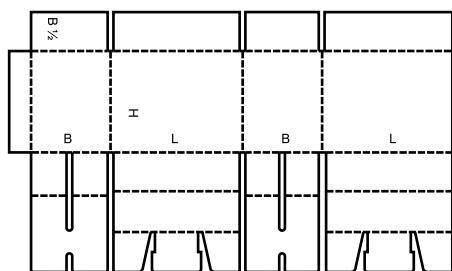
M/A





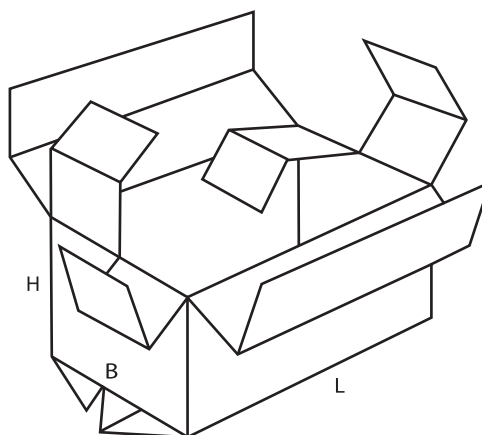
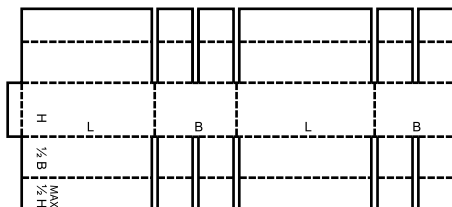
0207

M



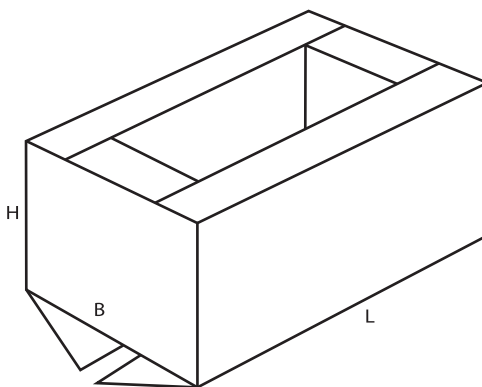
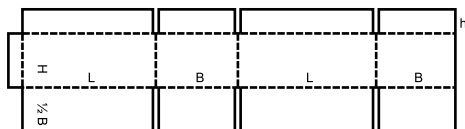
0208

M



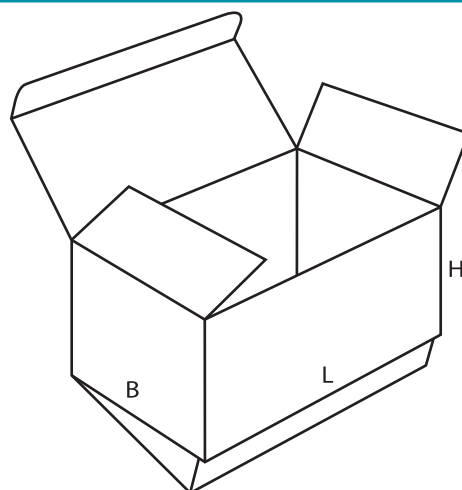
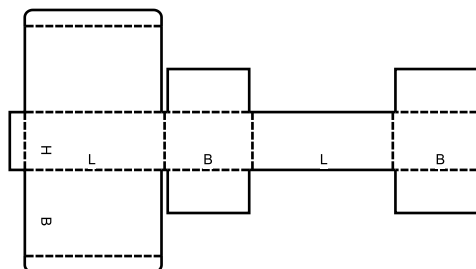
0209

M/A



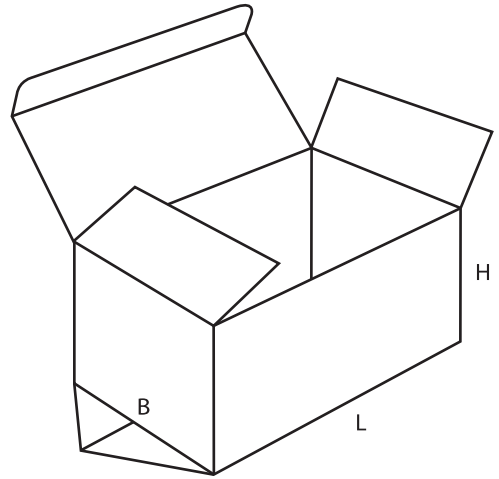
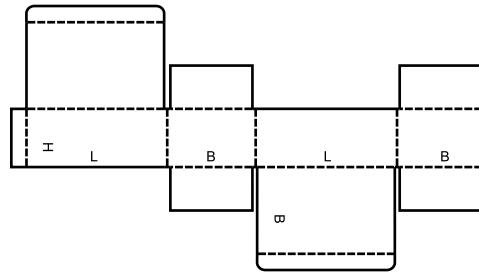
0210

M



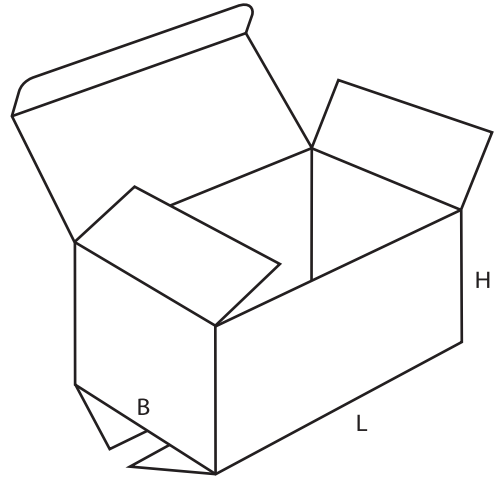
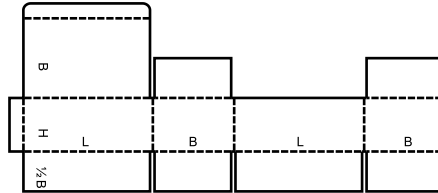
0211

M



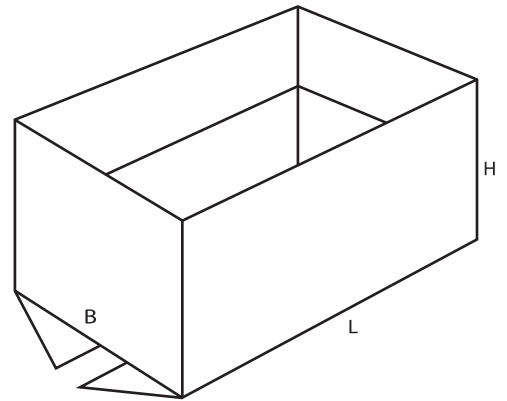
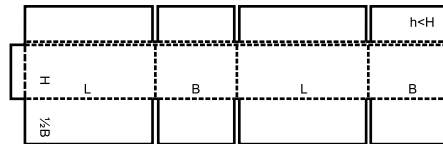
0212

M/A



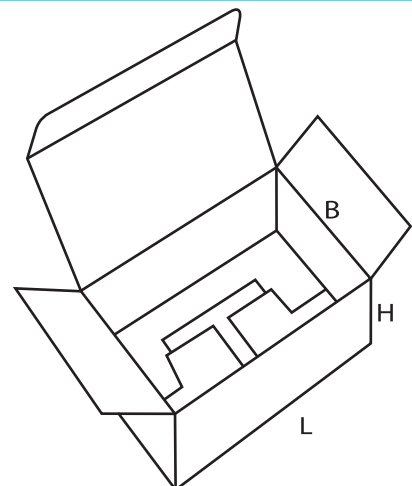
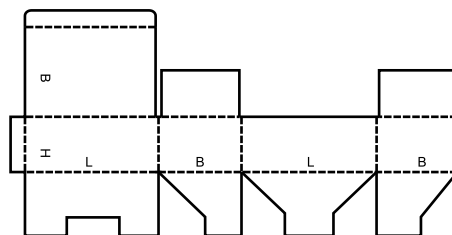
0214

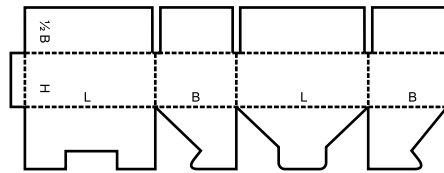
M



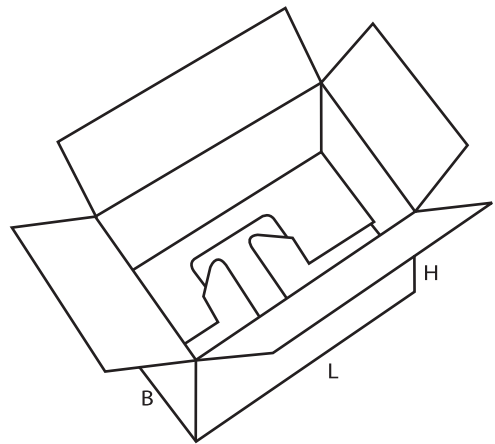
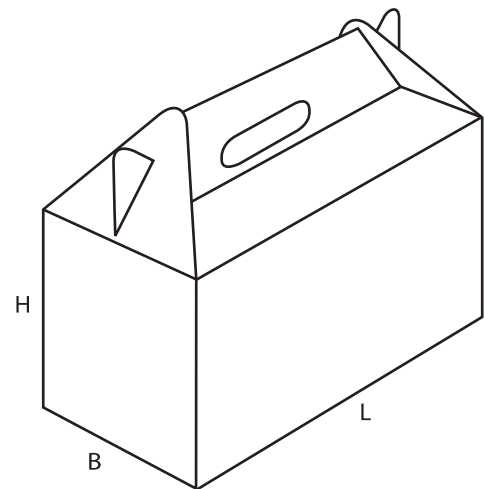
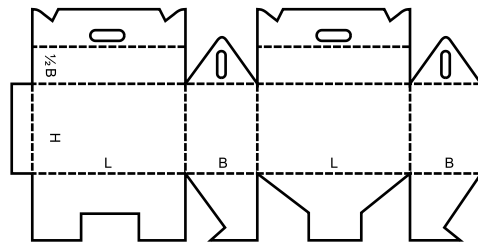
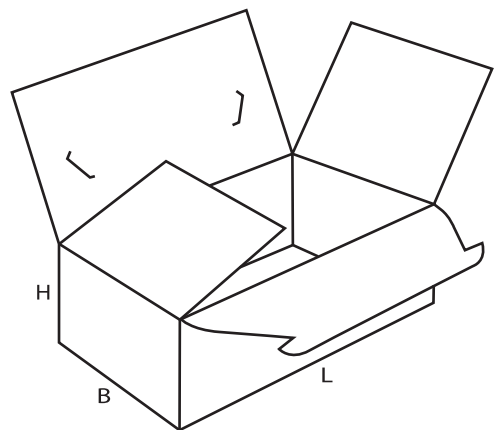
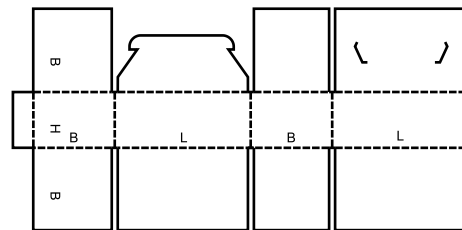
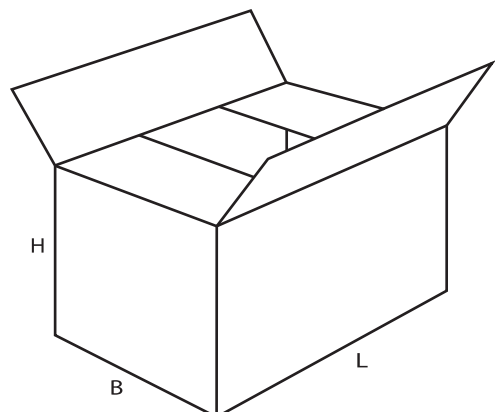
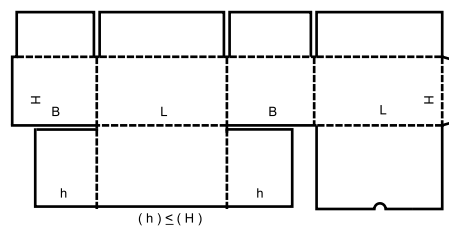
0215

M



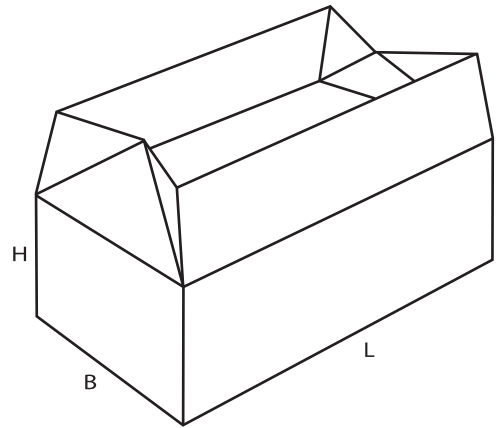
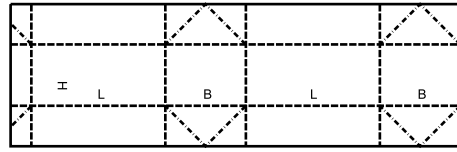
**0216****M**

closure of top can be automated  
 la fermeture du dessus peut être automatisée  
 Derverschluss des aufsatzes kann automatisiert werden

**0217****M****0218****M****0225****M**

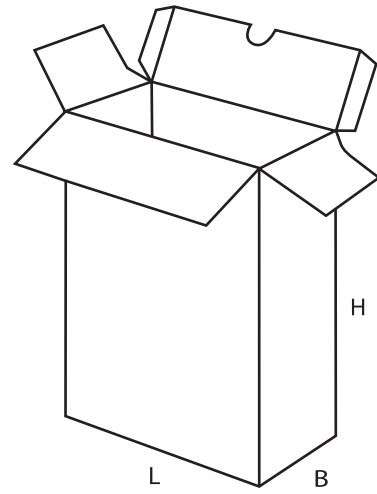
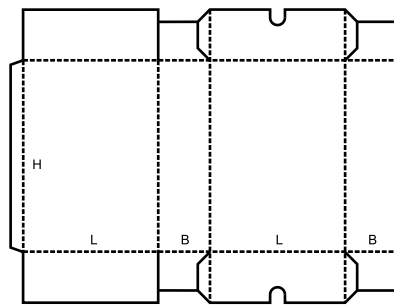
0226

M



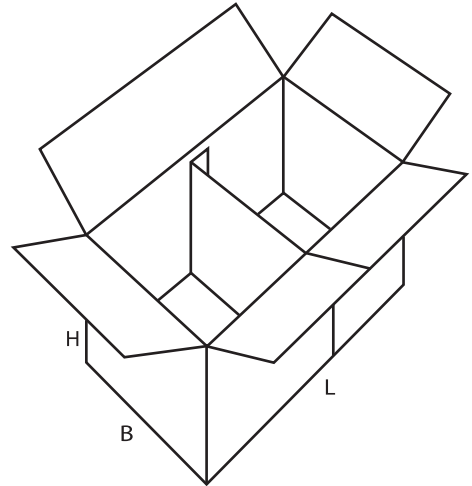
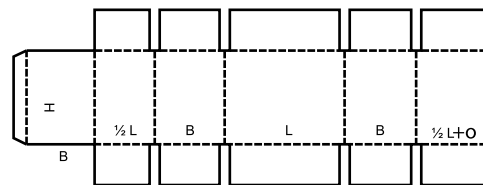
0227

M



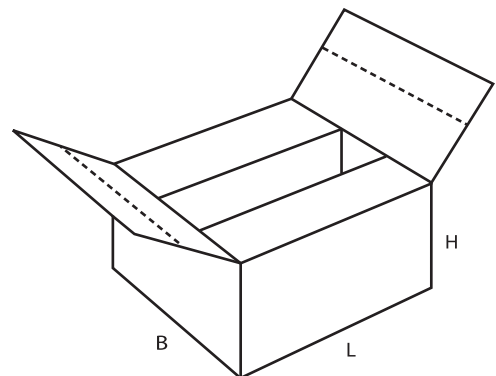
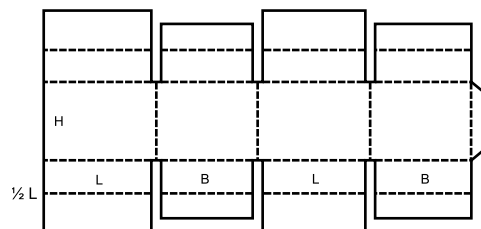
0228

M/A



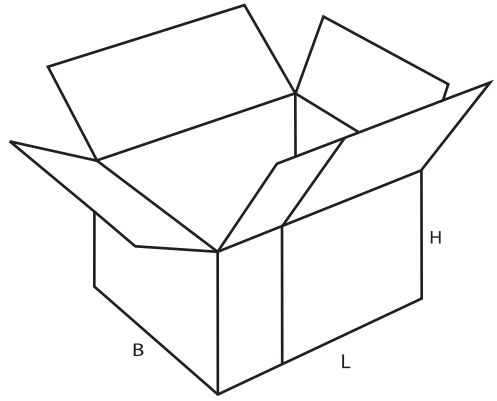
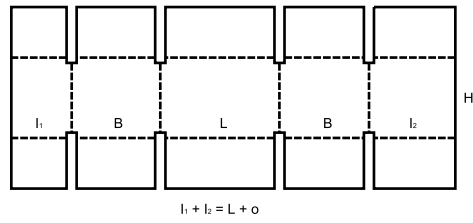
0229

M



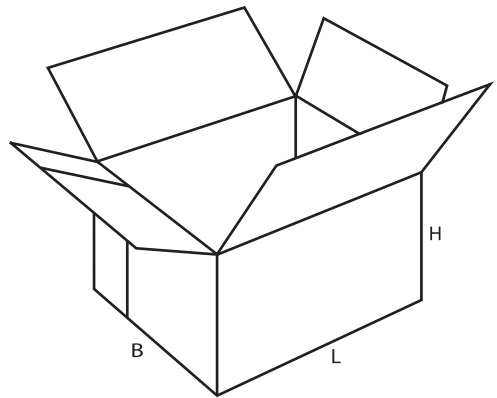
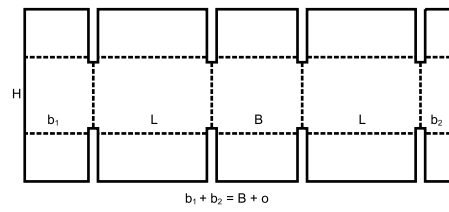
0230

M/A



0231

M/A



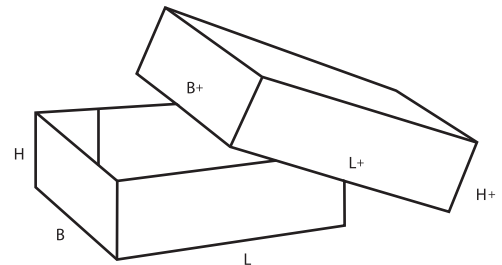
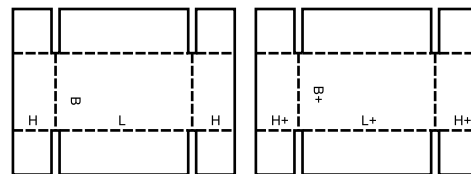
# 0300

- ▲ **Telescope-type** boxes consist of more than one piece and are characterised by a lid and/or bottom telescoping over the body of the box.
- ▲ **Caisses télescopiques** constituées par plus d'une pièce et caractérisées par un couvercle et/ou un fond séparé se glissant sur le corps de la caisse.
- ▲ **Deckelschachteln (Stülp-schachteln)** bestehen aus zwei oder mehr Teilen. Ein Oberteil (Deckel) wird über ein Unterteil (Boden) gestülpt oder beide über einen Rumpf.

- ▲ **Casse telescopiche:** Scatole telescopiche costituite da più di un componente e caratterizzate da un coperchio e/o fondo che scorre esternamente al corpo della scatola.
- ▲ **Cajas telescópicas:** fabricada con más de una pieza, se caracterizan por una tapa y/o fondo que se desliza sobre el cuerpo de la caja.

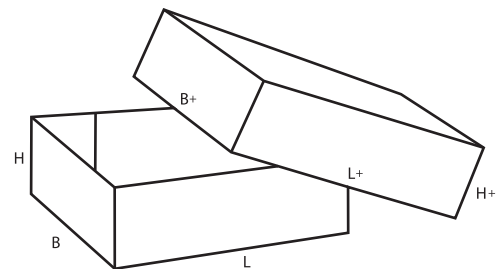
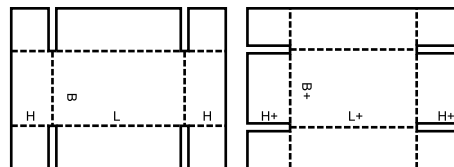
0300

M/A



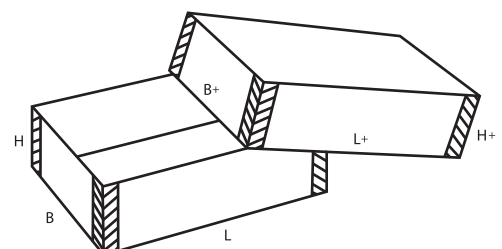
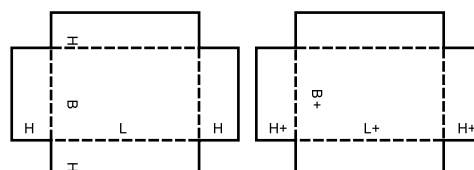
0301

M/A



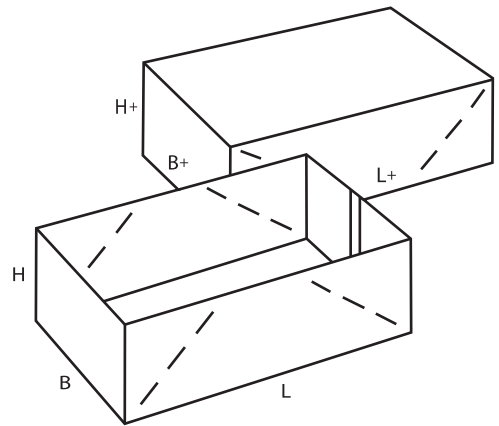
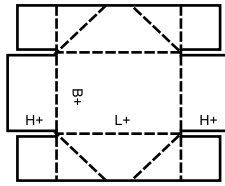
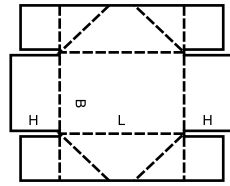
0302

M



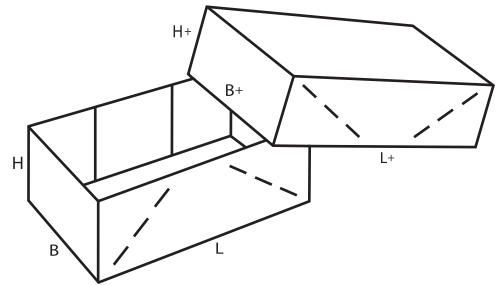
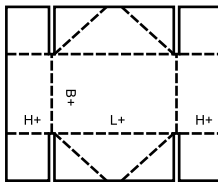
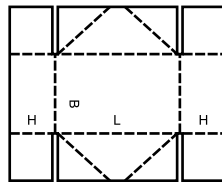
0303

M



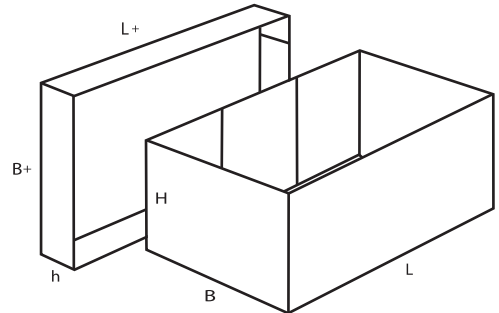
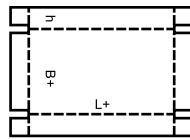
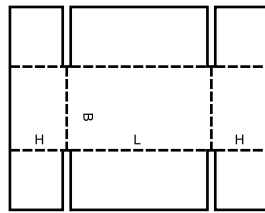
0304

M



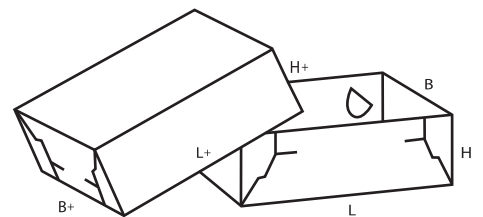
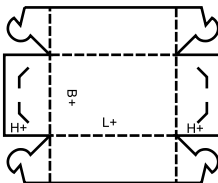
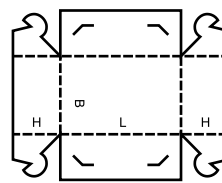
0306

M/A



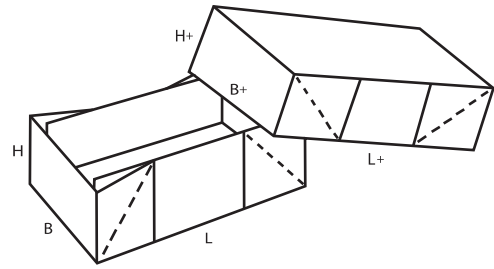
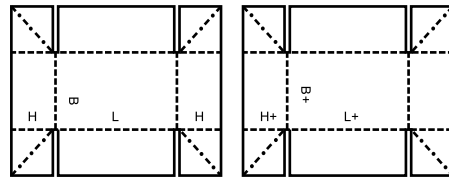
0307

M



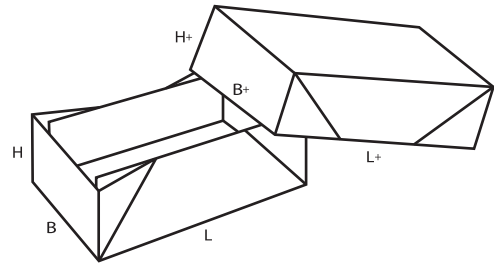
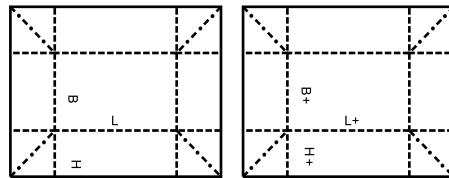
0308

M



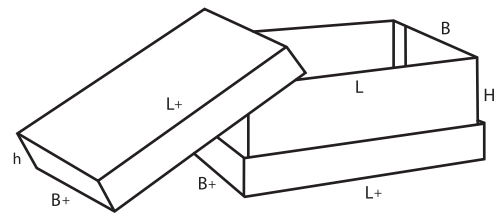
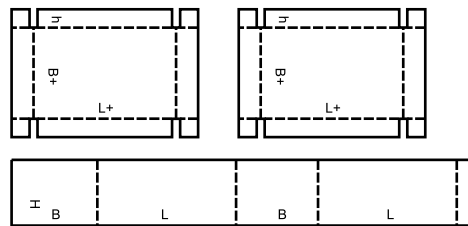
0309

M



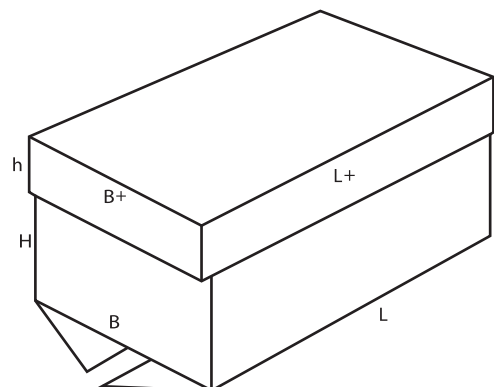
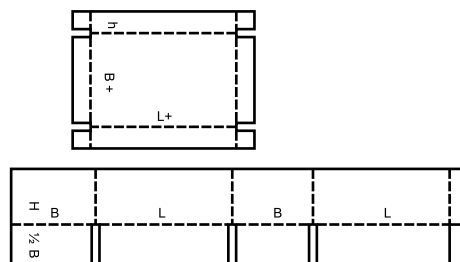
0310

M+A



0312

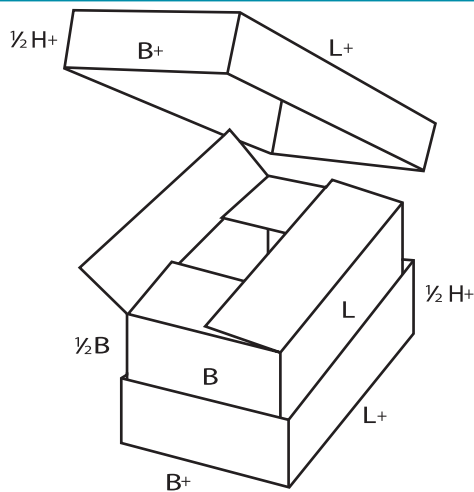
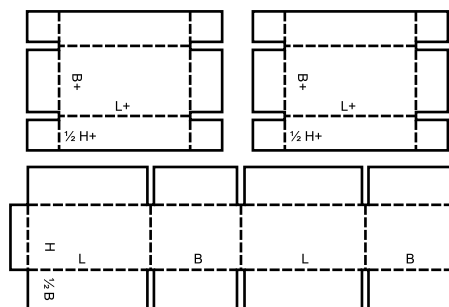
M/A





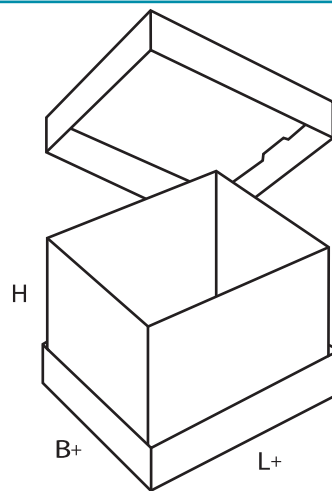
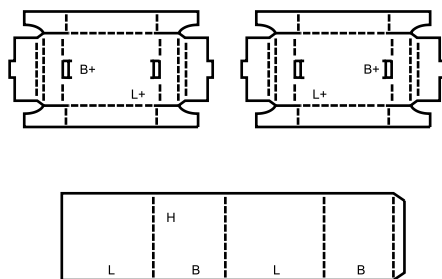
0313

M/A



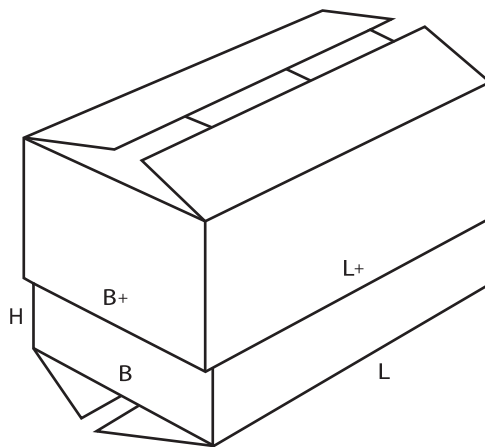
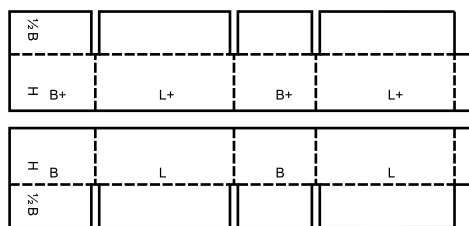
0314

M



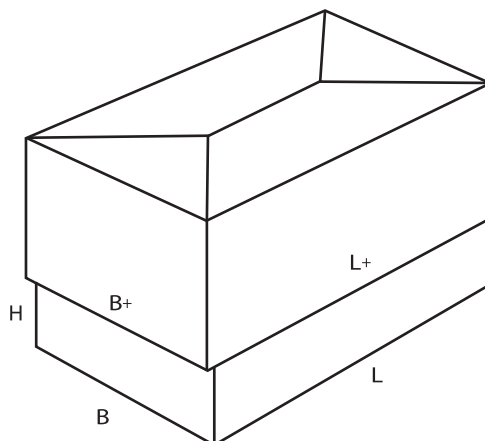
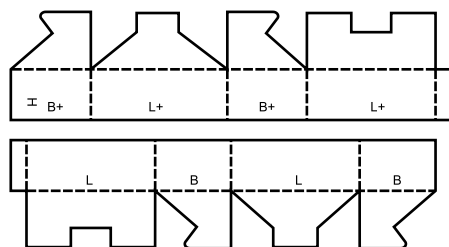
0320

M/A



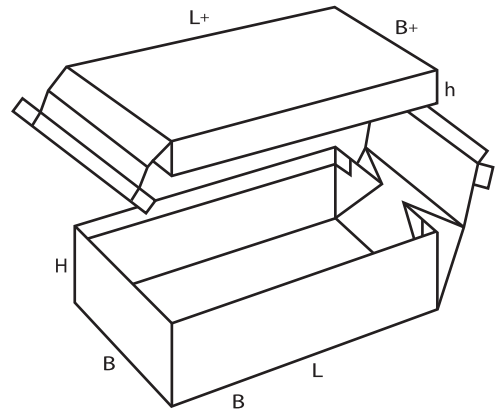
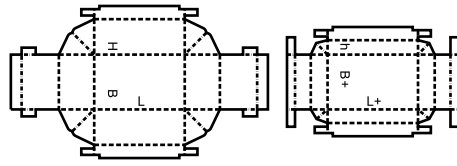
0321

M



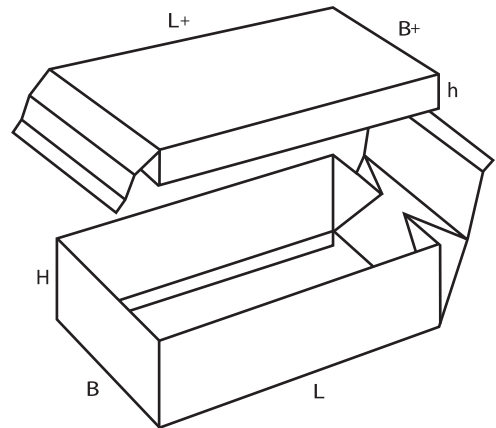
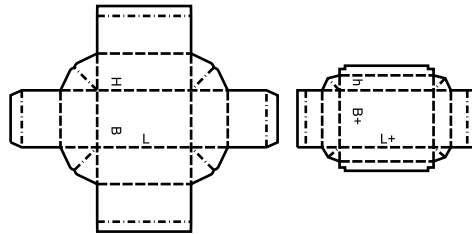
0322

M



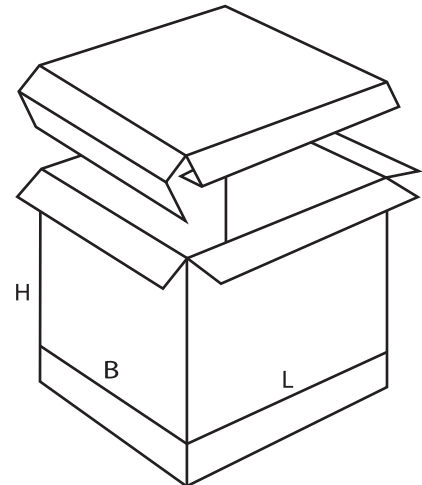
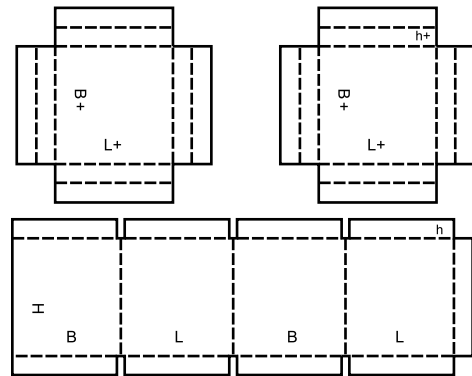
0323

M



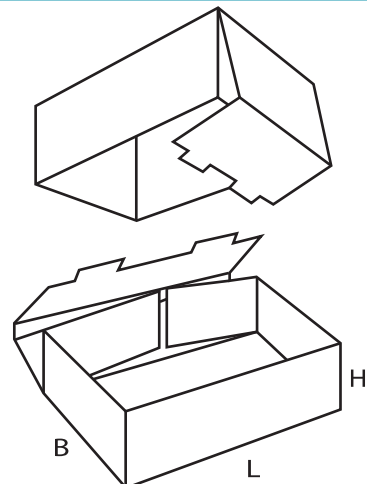
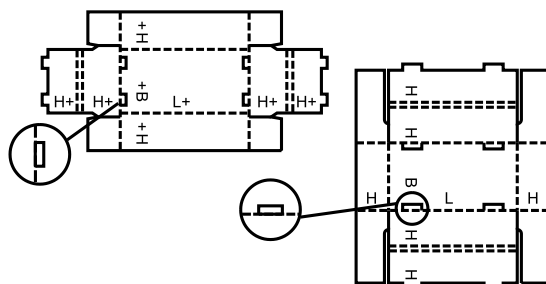
0325

A



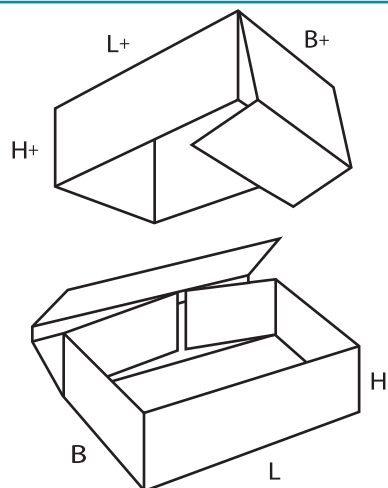
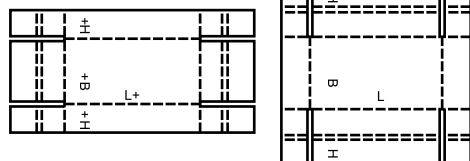
0330

M/A



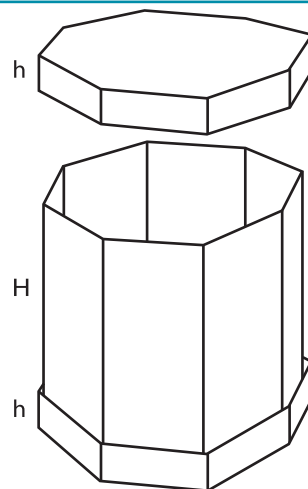
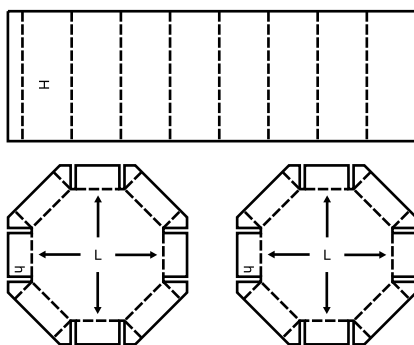
0331

M/A



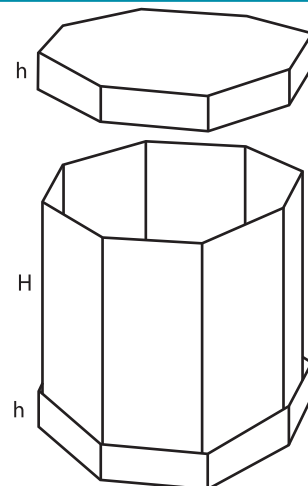
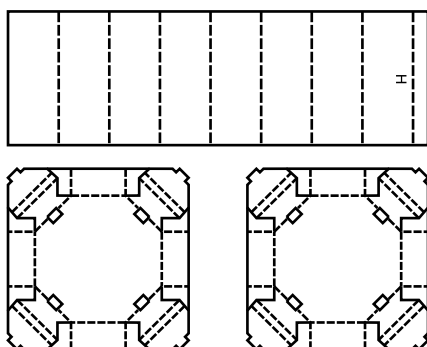
0350

M



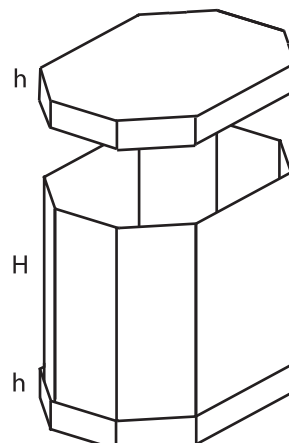
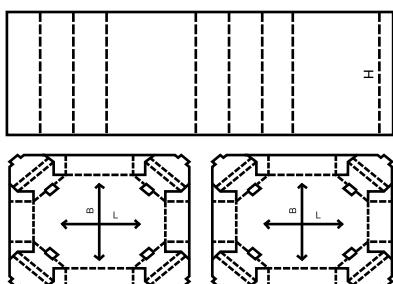
0351

M/A



0352

M/A



# 0400

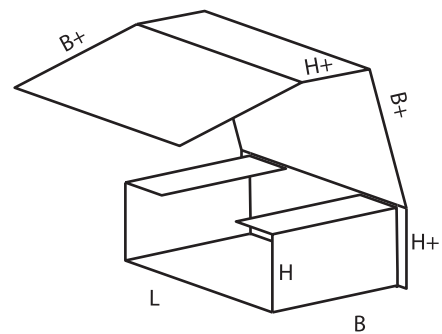
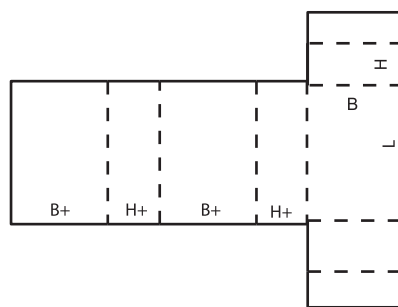
- Folder-type boxes** and trays usually consist of only one piece of board. The bottom of the box is hinged to form two or all side walls and the cover. Locking tabs, handles, display panels etc., can be incorporated in some designs.
- Enveloppes et plateaux** en général constitués d'une seule pièce, montés sans agrafage ni bande gommée, et pouvant comporter des éléments de verrouillage, d'encliquetage, et des poignées.
- Falzhüllen und Trays** bestehen im allgemeinen aus einem Zuschnitt. Zwei oder alle Seitenwände und der Deckel sind am Boden angelenkt. Sperrvorrichtungen, Handgriffe, Verkaufsteller usw. können bei dieser

Ausführungsart mit vorgesehen werden.

- Scatole pieghevoli e vassoi:** Contenitori e vassoi formati normalmente dalla piegatura di un pezzo di cartone. Il fondo del contenitore è delimitato da pieghe in modo da formare due o tutti i pannelli laterali ed il pannello superiore. In certi modelli possono essere incorporati delle linguette di chiusura, delle maniglie, dei pannelli da espositori ecc.
- Cajas plegables y bandejas:** son en general de una única pieza de cartón ondulado. El fondo de la caja se pliega para formar dos, o todas las paredes laterales, y la tapa. Pueden incorporarse al diseño elementos de cierre, asas, paneles expositores, etc.

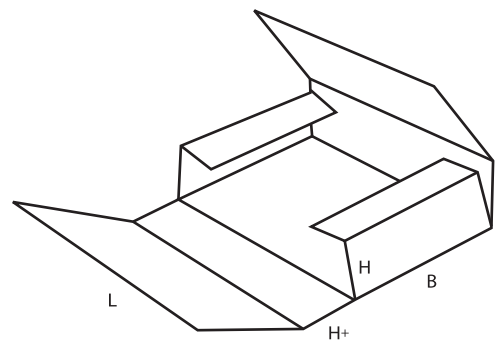
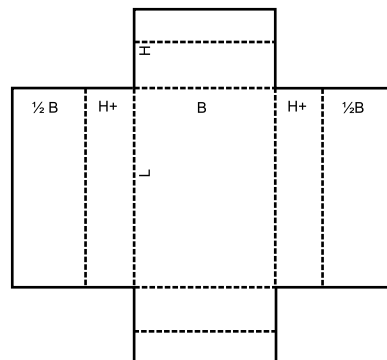
0400

M



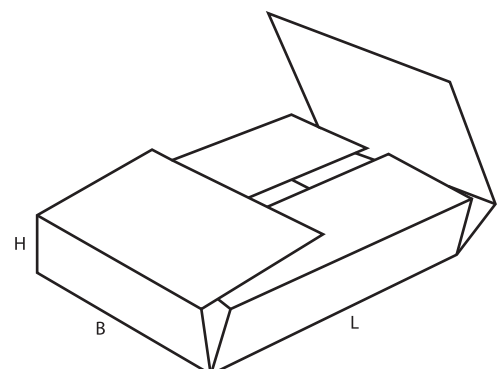
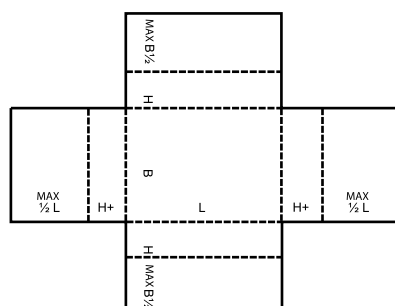
0401

M



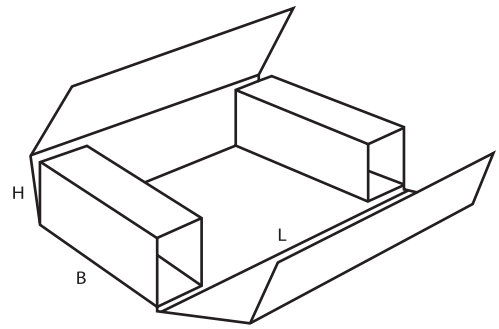
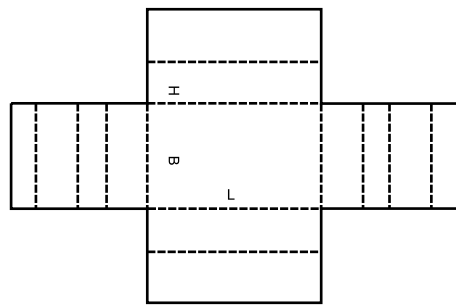
0402

M



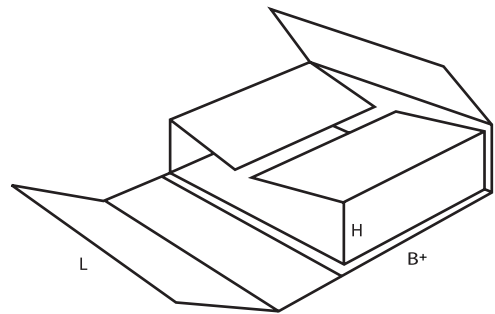
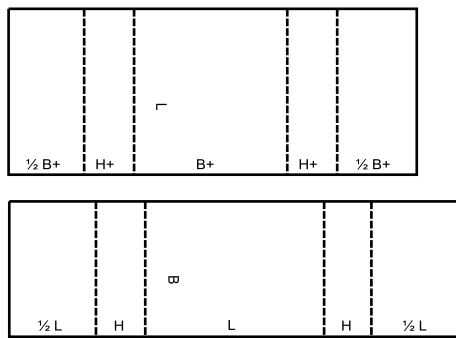
0403

M



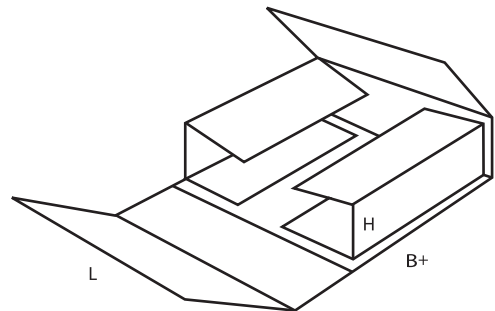
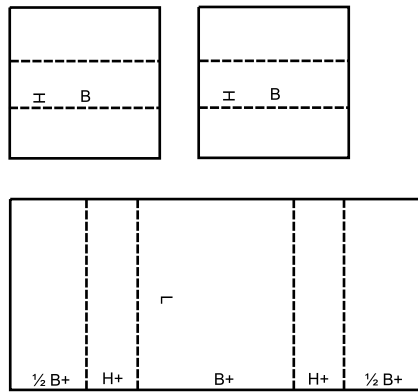
0404

M



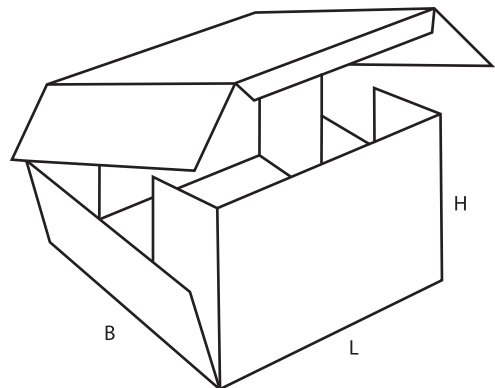
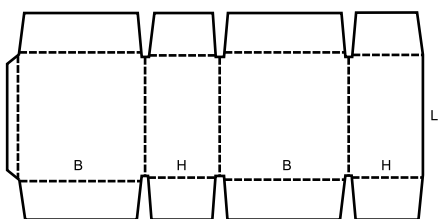
0405

M



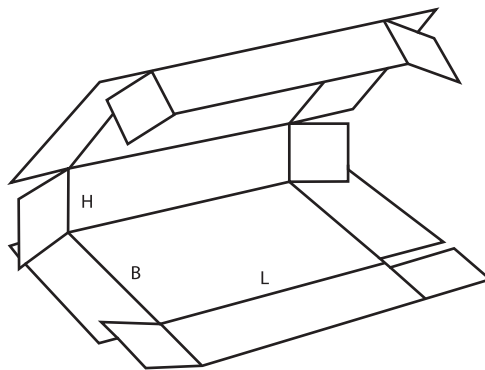
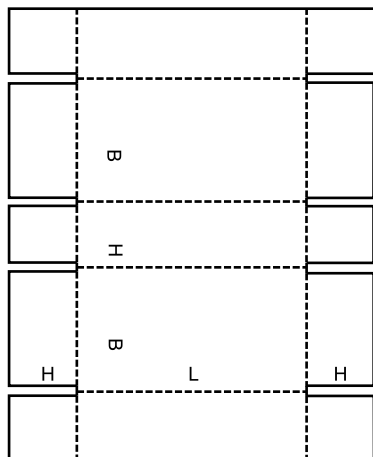
0406

A



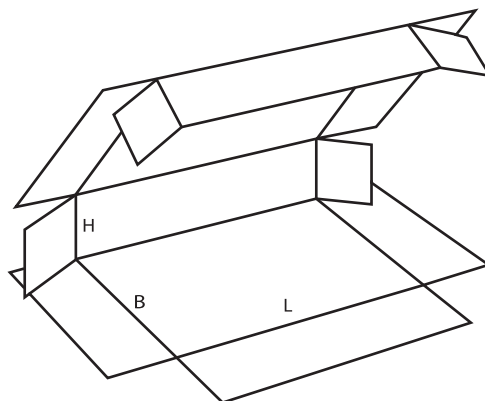
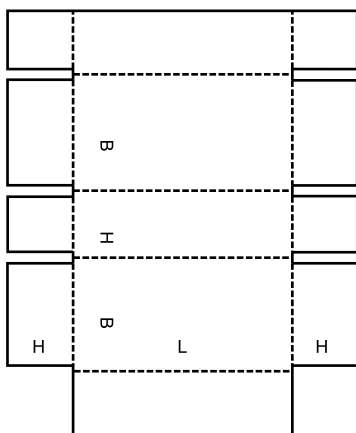
0409

M



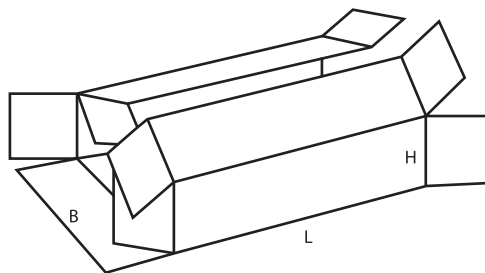
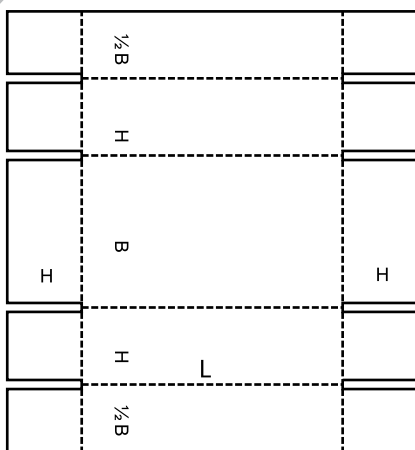
0410

M/A



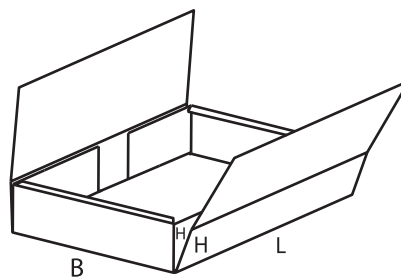
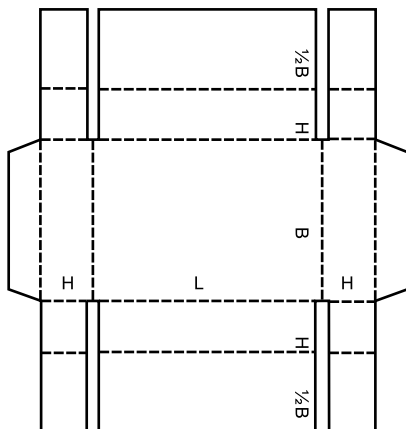
0411

M/A



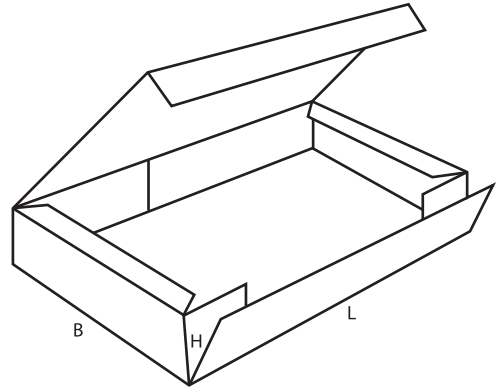
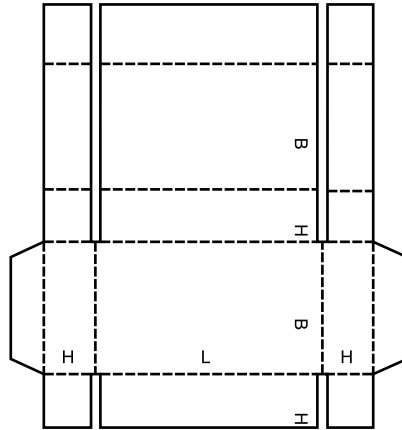
0412

M



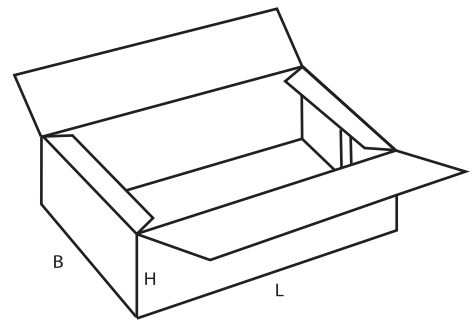
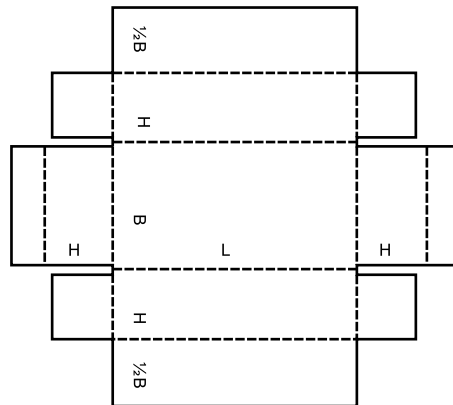
0413

M/A



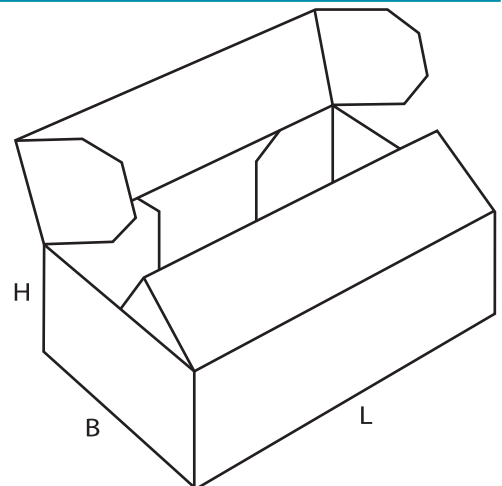
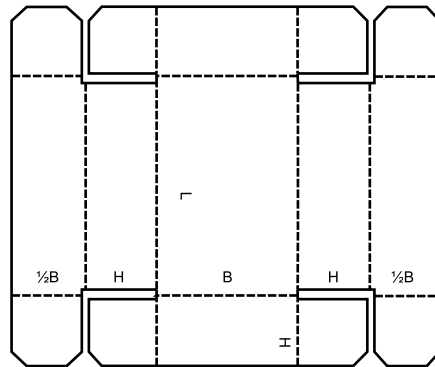
0415

M/A



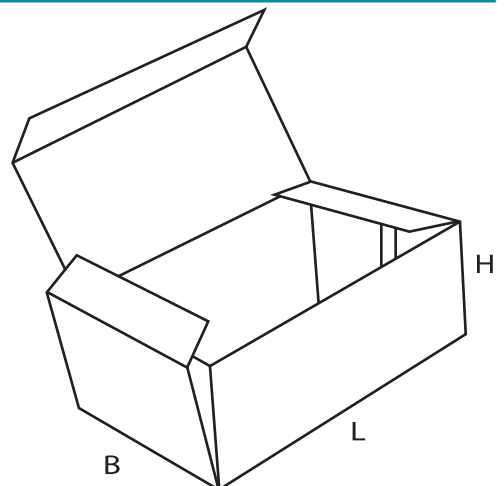
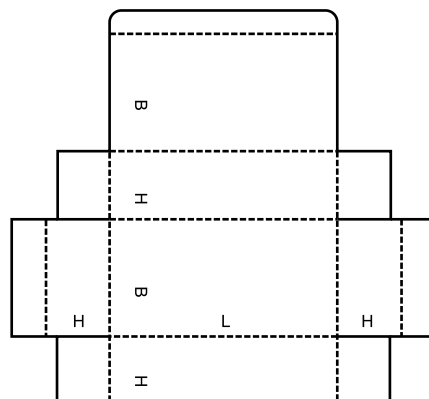
0416

M



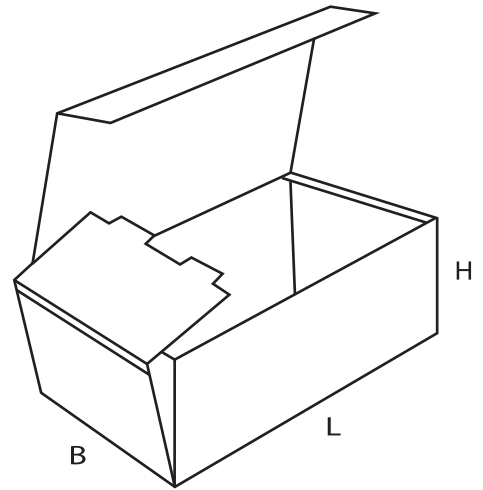
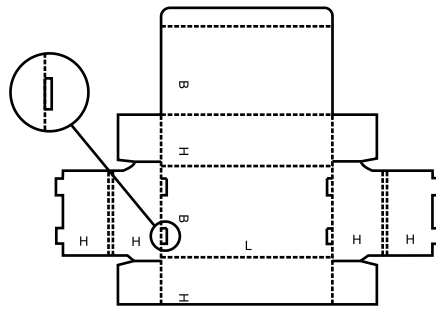
0420

M/A



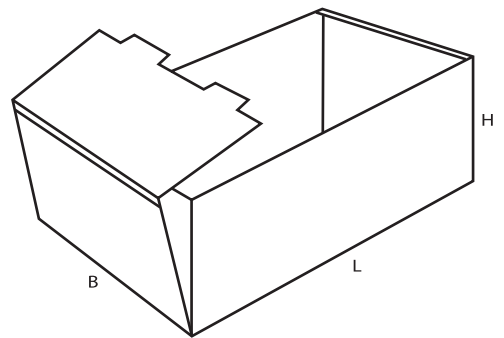
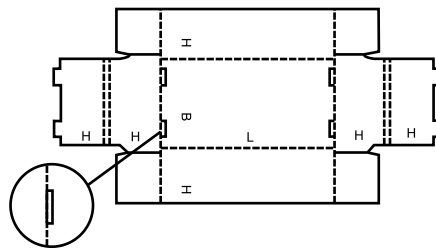
0421

M/A



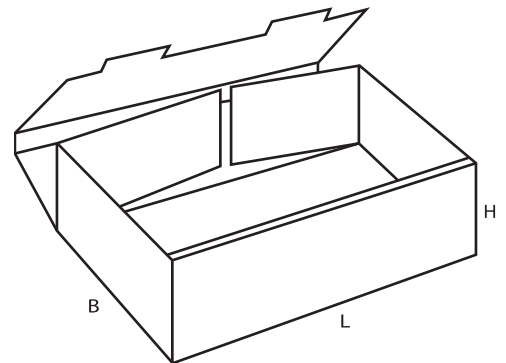
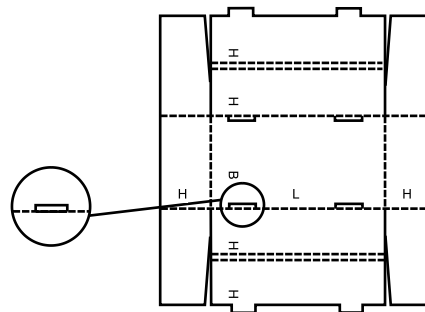
0422

M/A



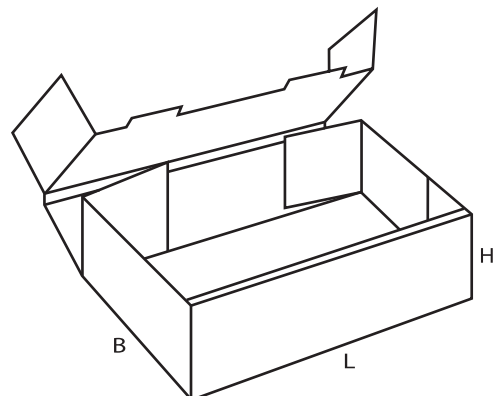
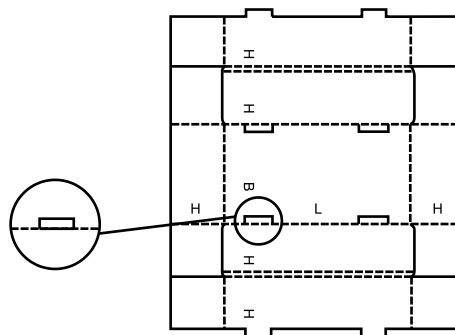
0423

M/A



0424

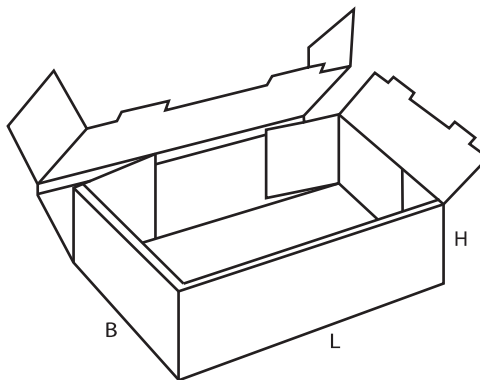
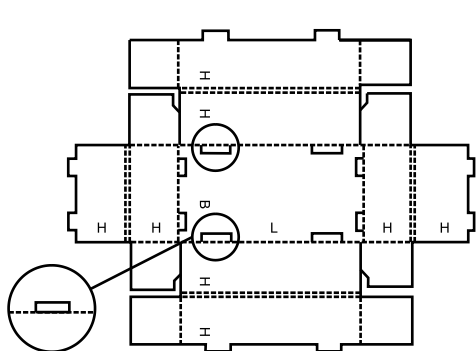
M/A





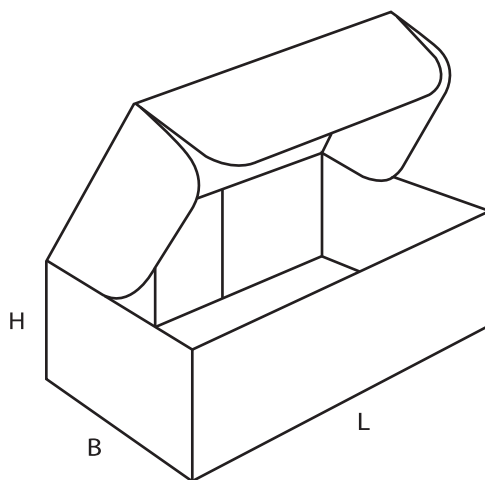
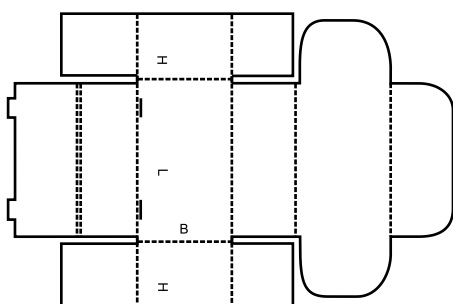
0425

M/A



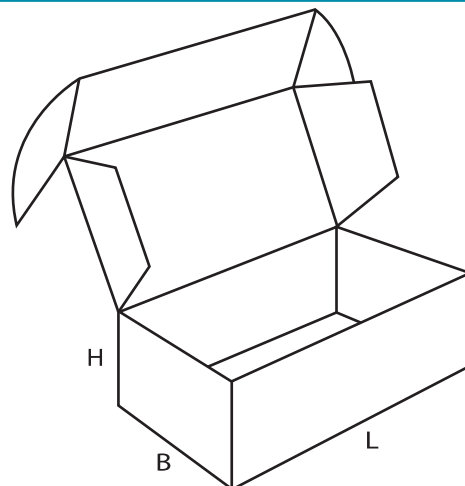
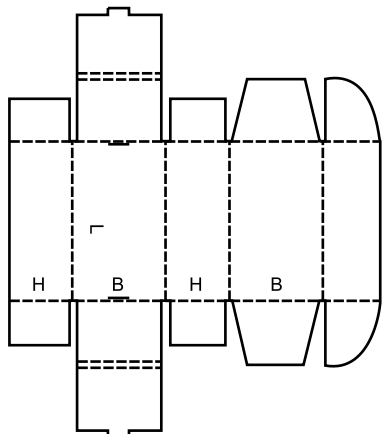
0426

M



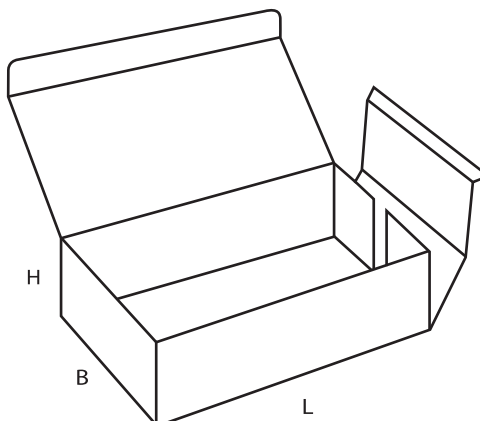
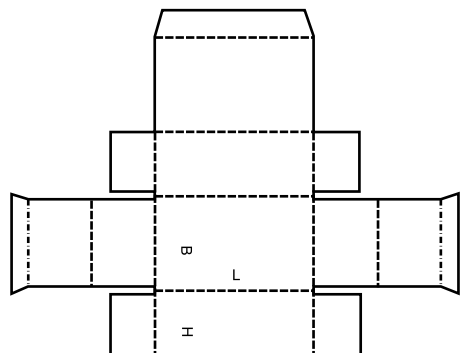
0427

M



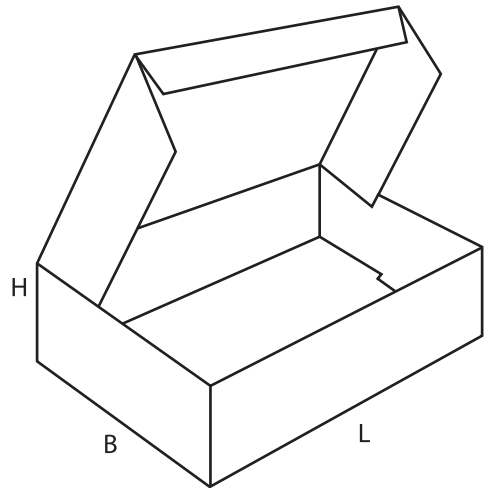
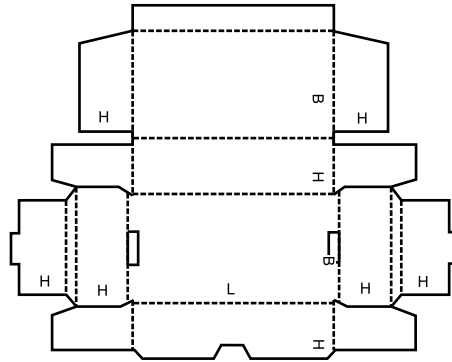
0428

M



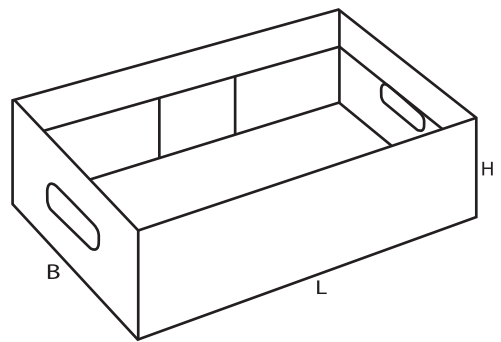
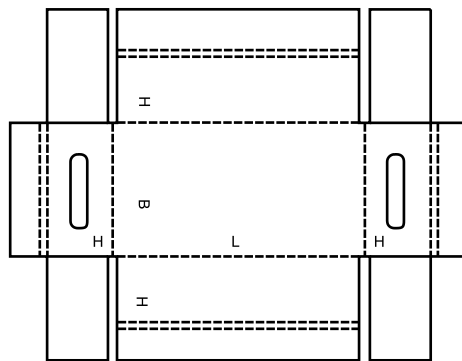
0429

M



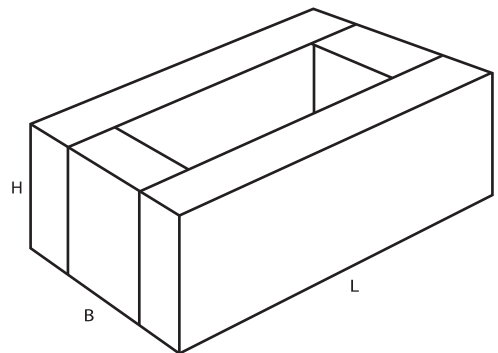
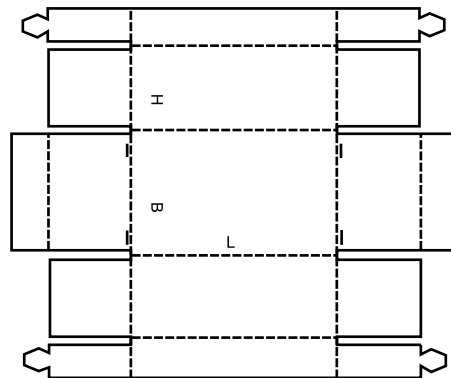
0430

M/A



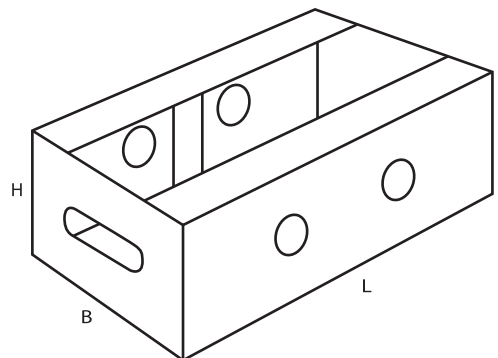
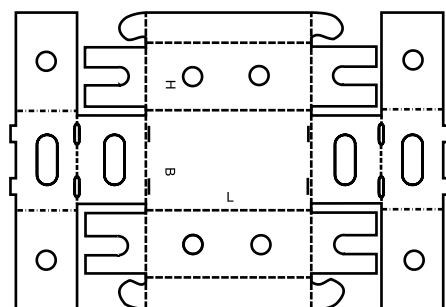
0431

M



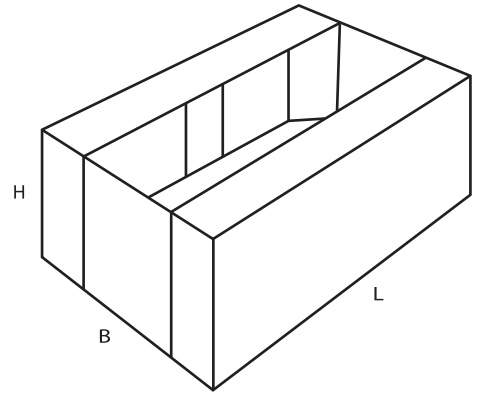
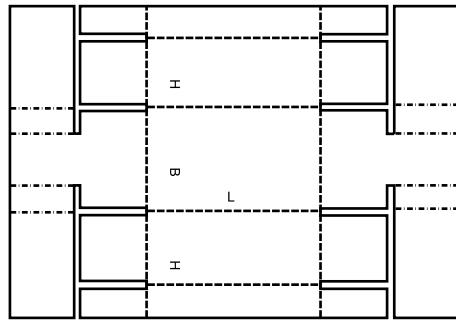
0432

M



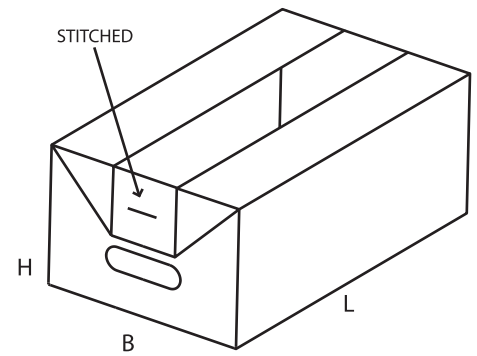
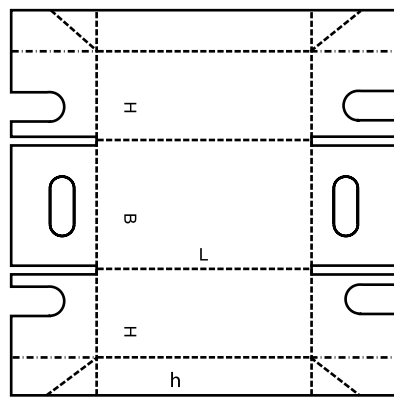
0433

M



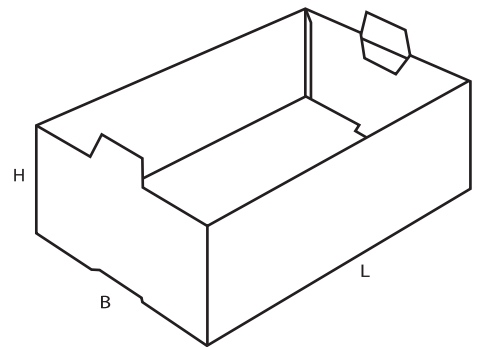
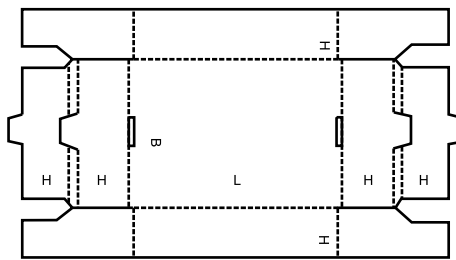
0434

M



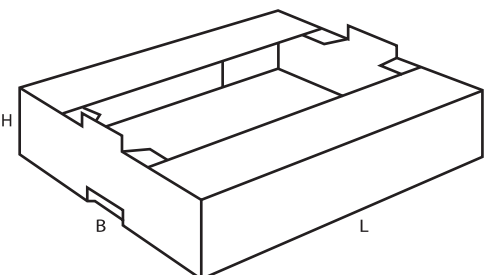
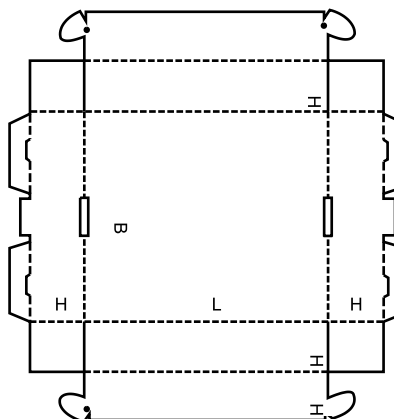
0435

M/A



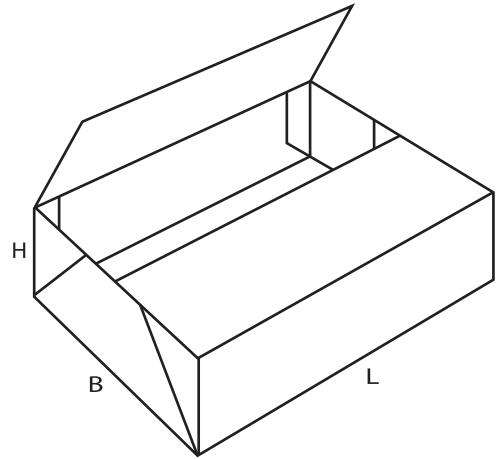
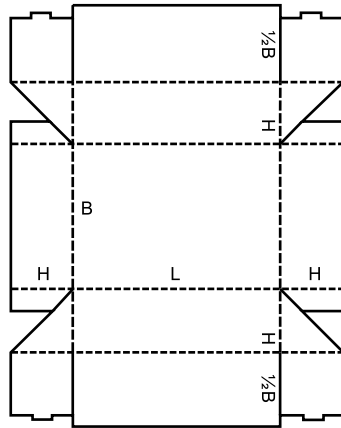
0436

M



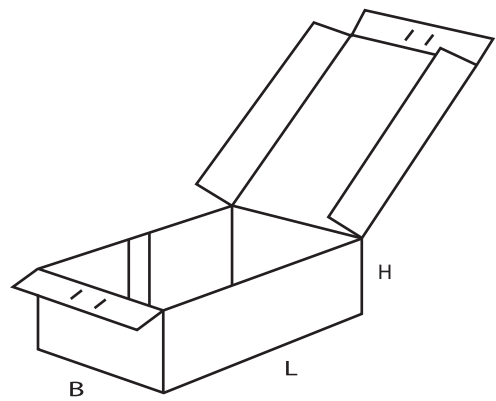
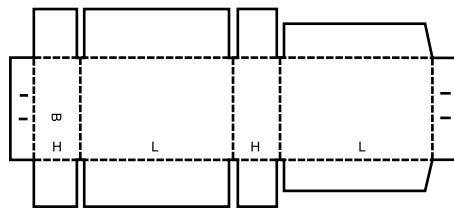
0437

M



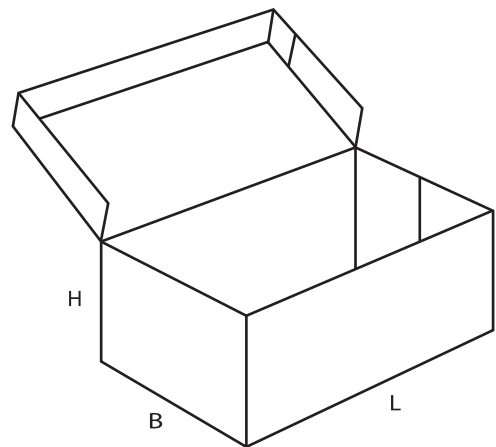
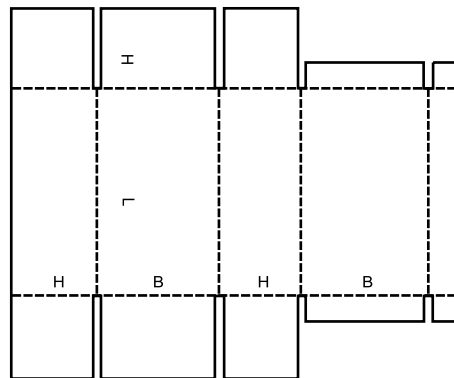
0440

A



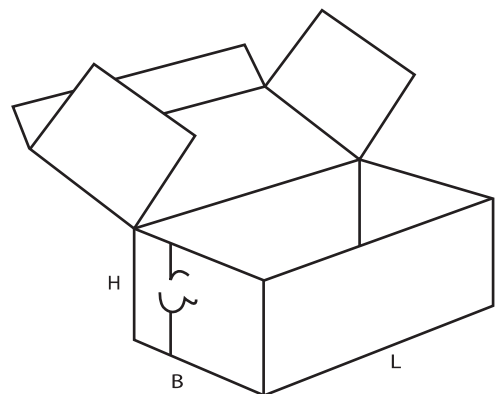
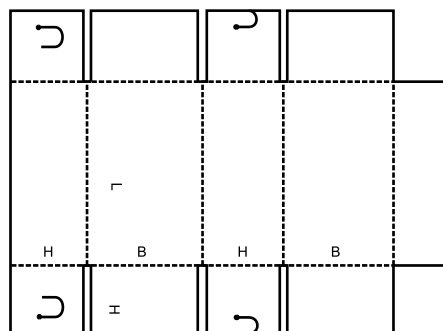
0441

A



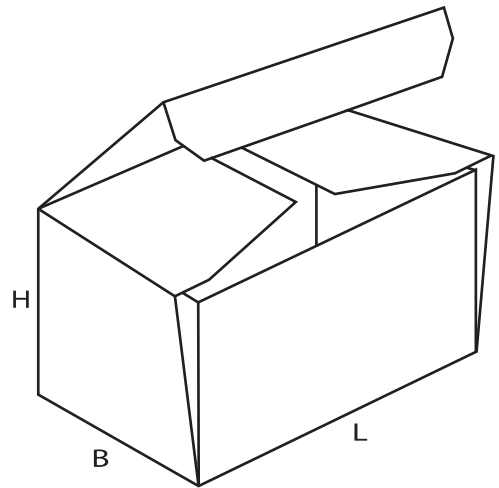
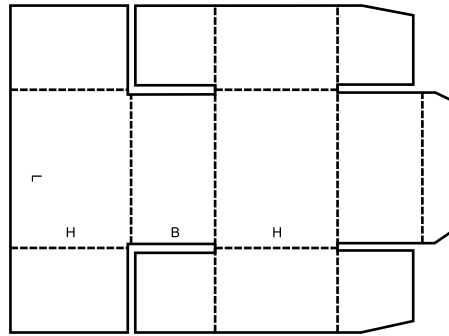
0442

M



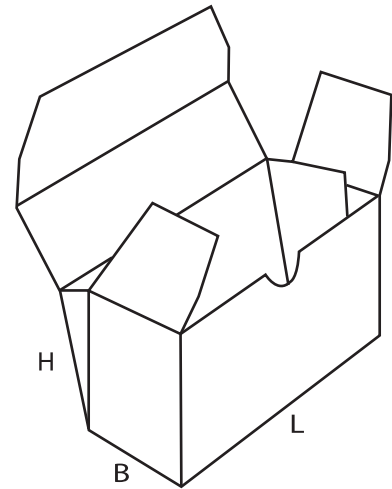
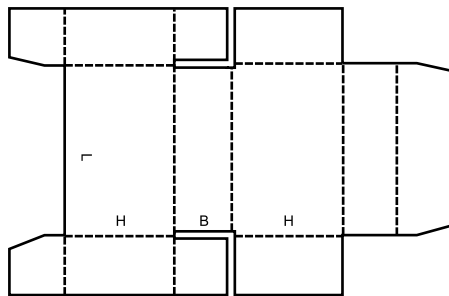
0443

M



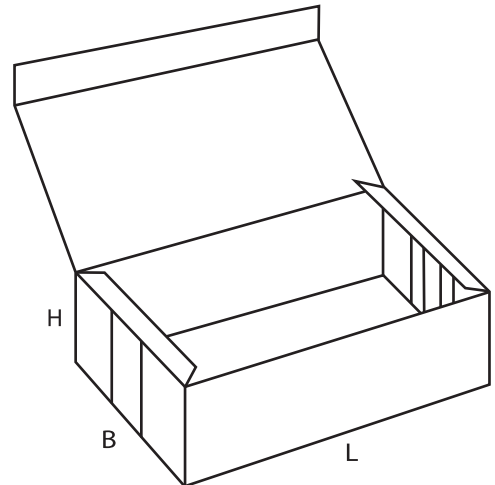
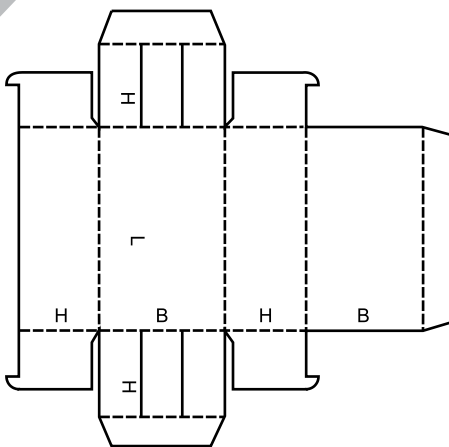
0444

M



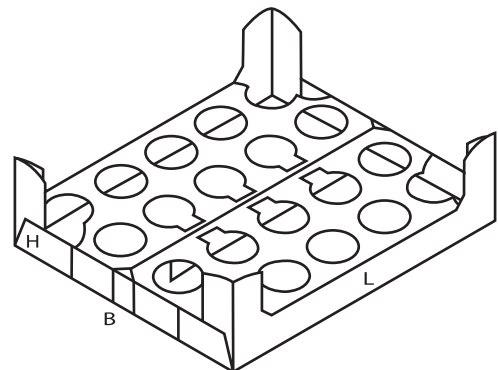
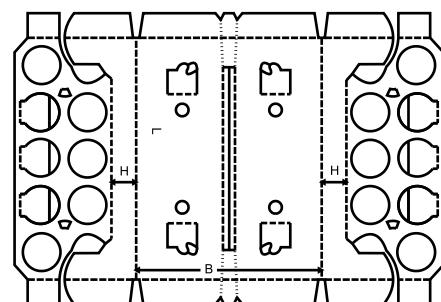
0445

M



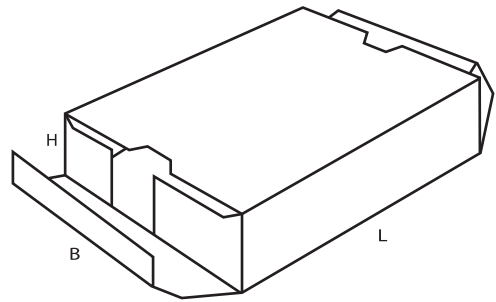
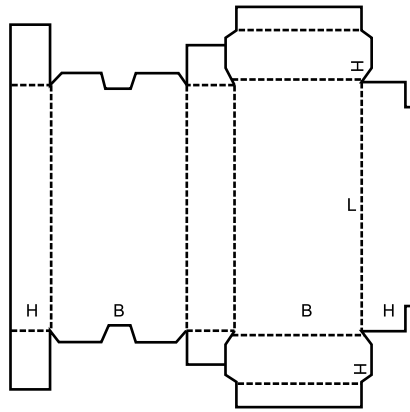
0446

A



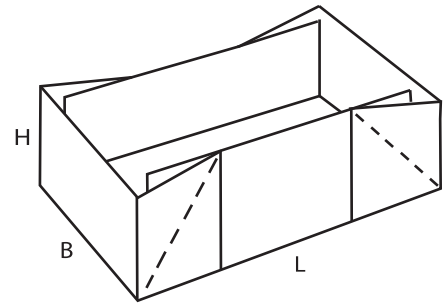
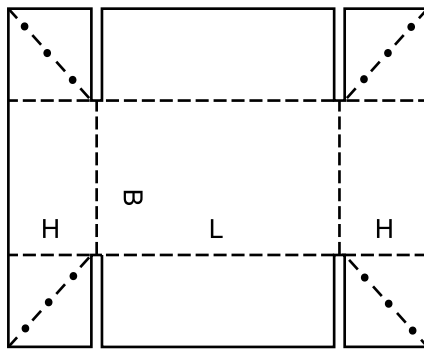
0447

M



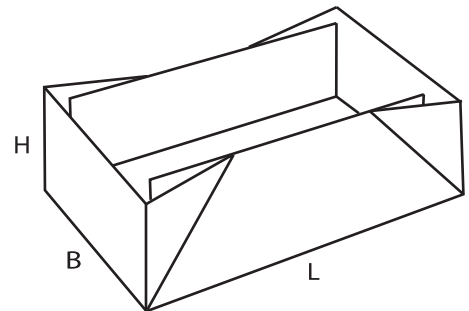
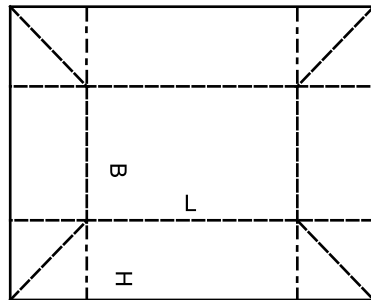
0448

M



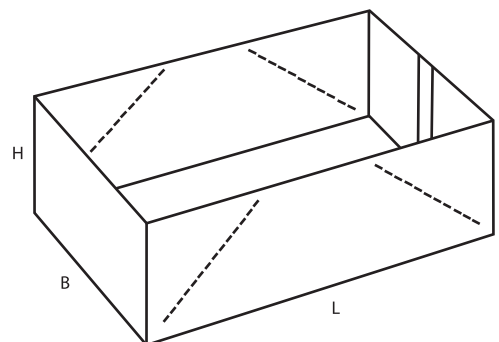
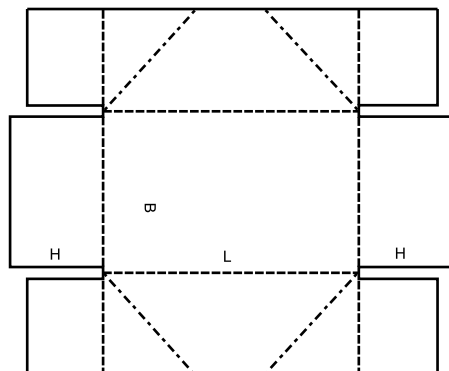
0449

M



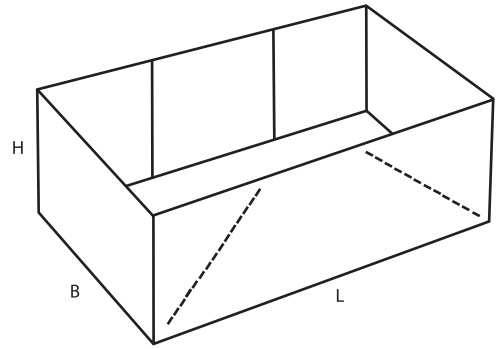
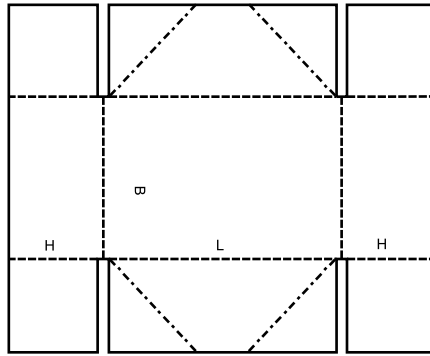
0450

M



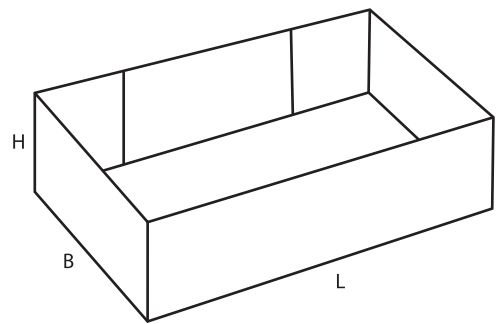
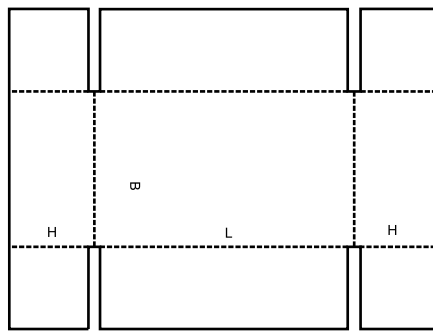
0451

M



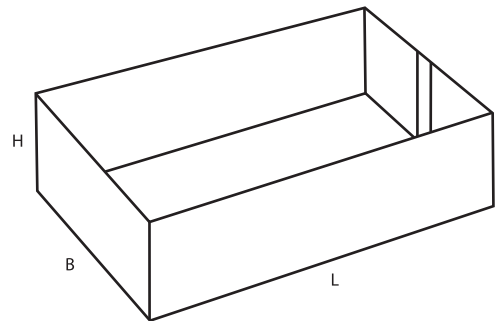
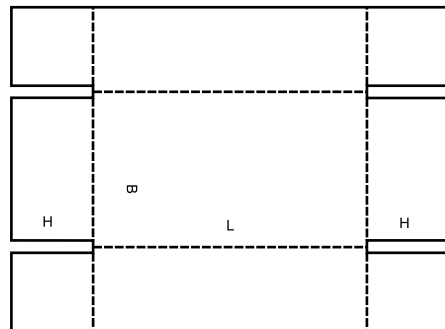
0452

A



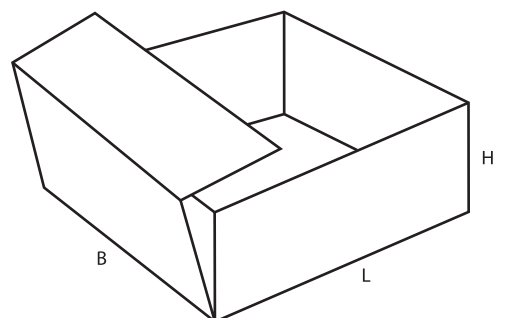
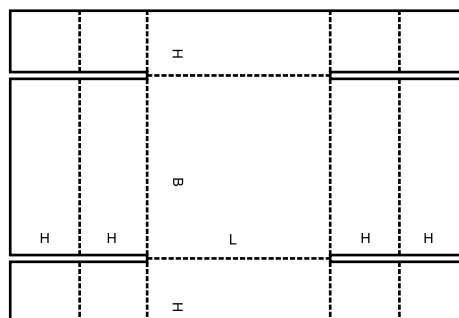
0453

A



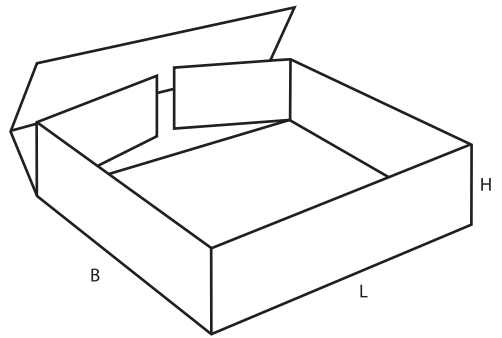
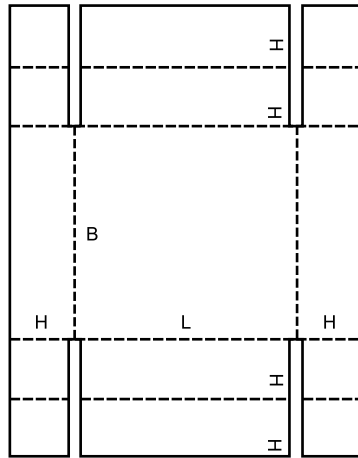
0454

M



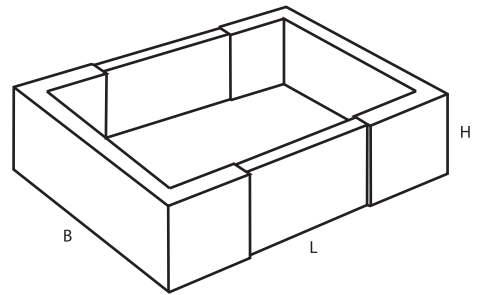
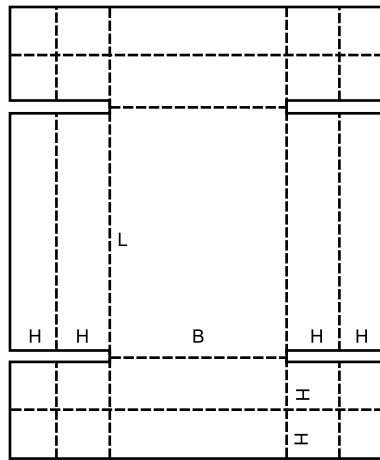
0455

M



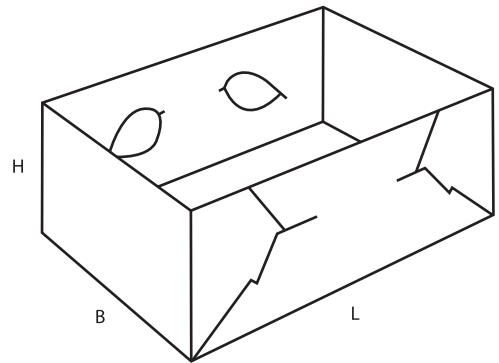
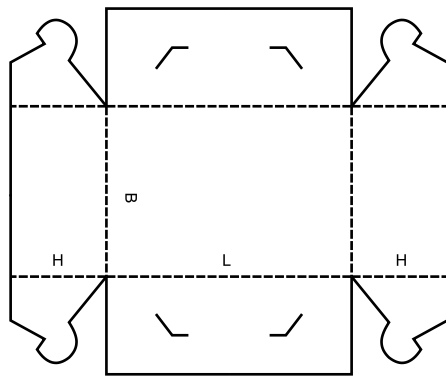
0456

M



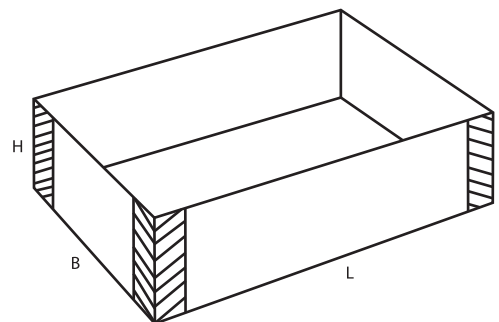
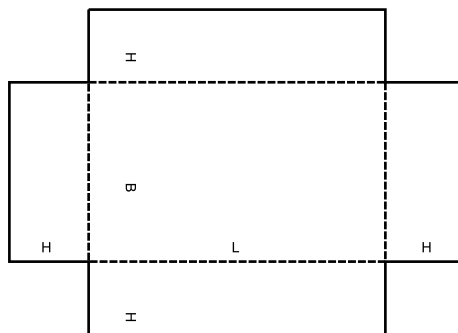
0457

M



0458

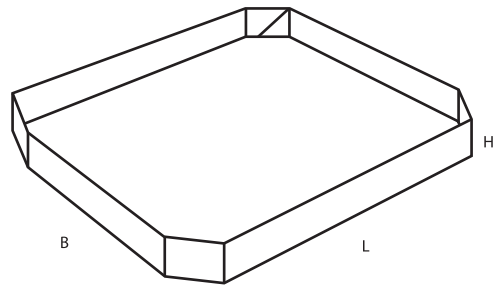
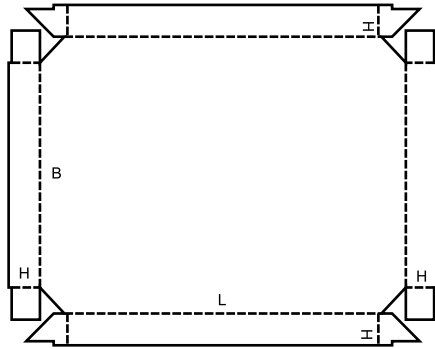
M





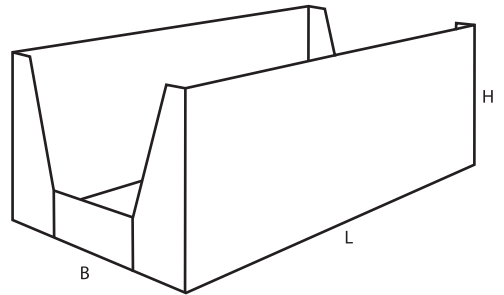
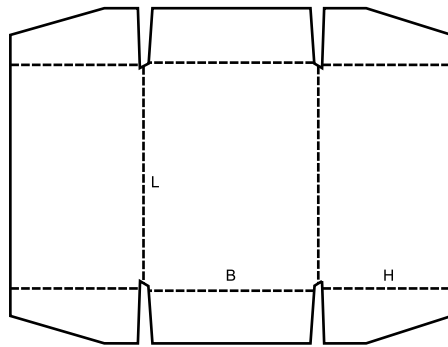
0459

A



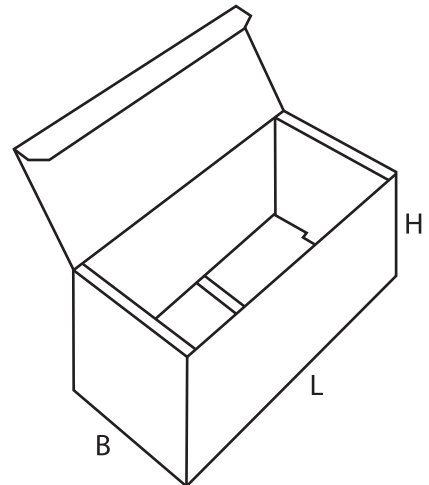
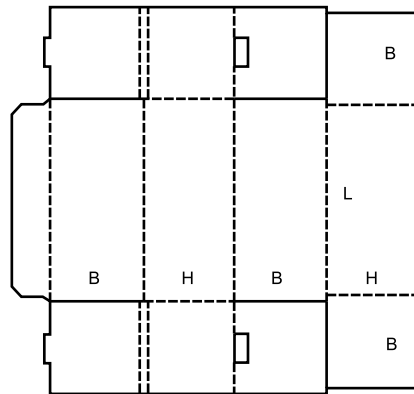
0460

A



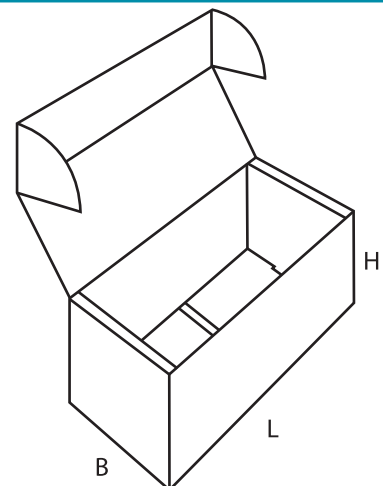
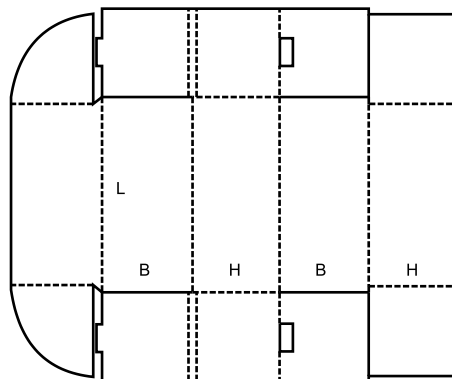
0470

M



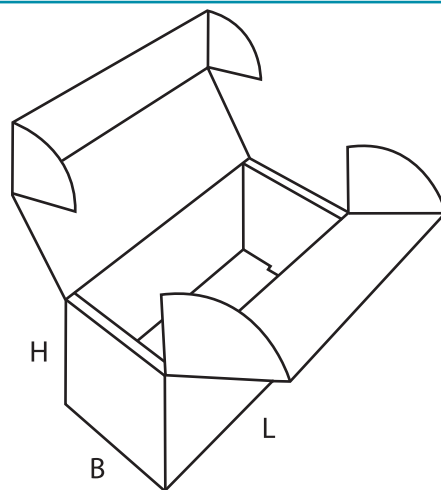
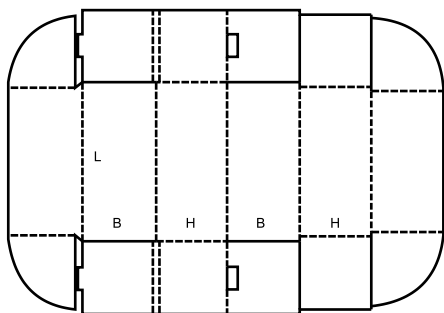
0471

M



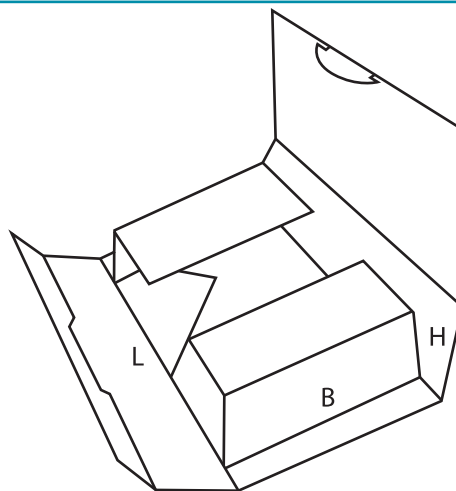
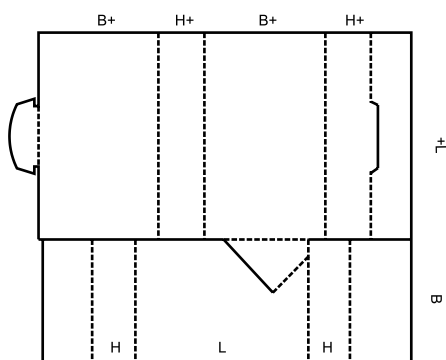
0472

M



0473

M



# 0500

▲ **Slide-type boxes** consist of several pieces of liners and sleeves sliding in different directions into each other. This group also includes outside sleeves for other cases.

▲ **Boîtes coulissantes** constituées par plusieurs manchons coulissants rentrant en différentes directions les uns dans les autres. Ce groupe comprend aussi les manchons extérieurs pour d'autres caisses.

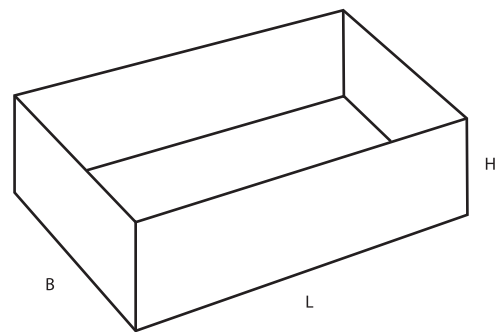
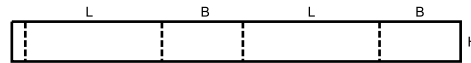
▲ **Schiebeschachteln (Gürtelschachteln)** bestehen aus mehreren in verschiedenen Richtungen ineinanderschließbaren Ringeinsätzen und Manschetten. Zu dieser Gruppe gehören auch Überschiebhülsen.

▲ **Scatole scorrevoli:** Contenitori telescopico composti da diversi pezzi che scorrono l'uno con l'altro. In questo gruppo sono incluse anche le fasce esterne per scatole.

▲ **Cajas de tipo deslizante:** constan de varias piezas de forros interiores y fundas que deslizan en diferentes direcciones uno dentro de otro. Este grupo incluye también fundas exteriores para otras cajas.

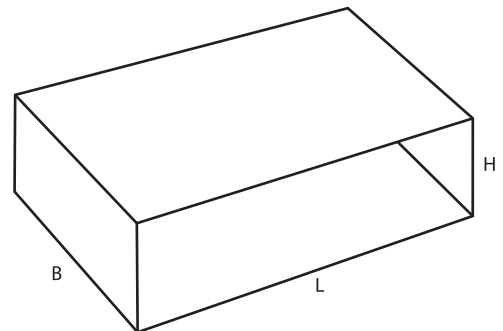
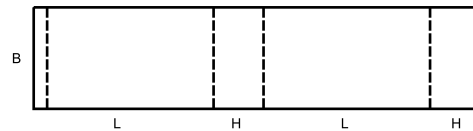
## 0501

M



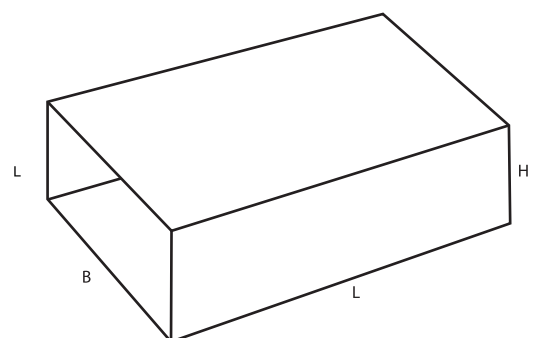
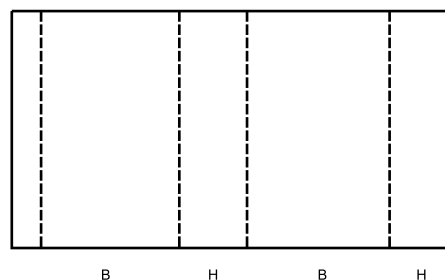
## 0502

M



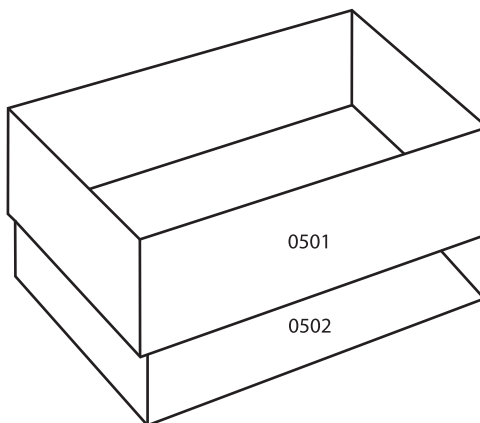
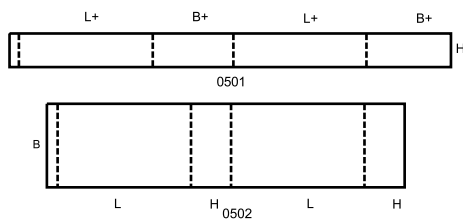
## 0503

M



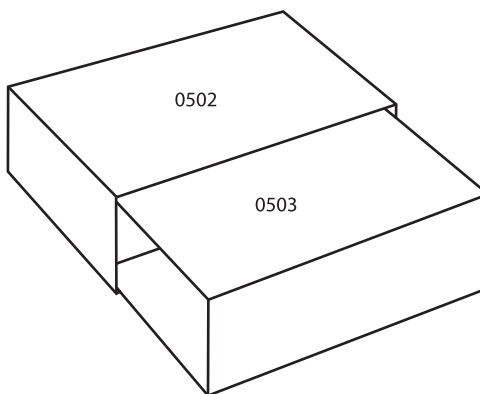
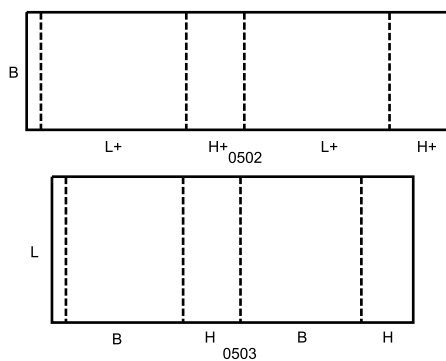
0504

M



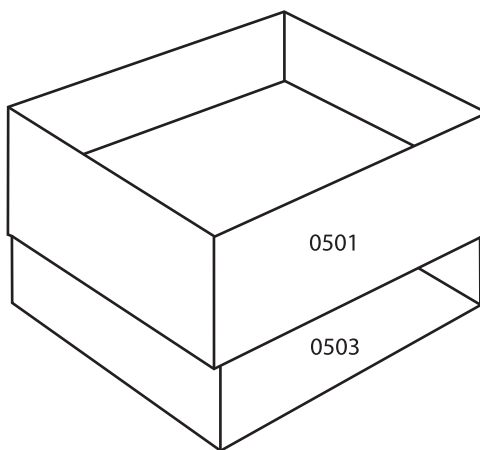
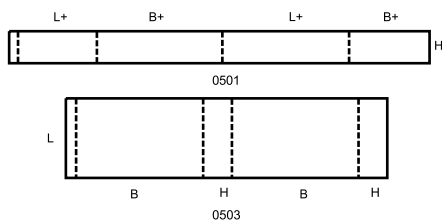
0505

M



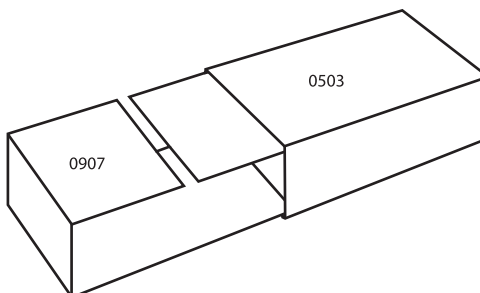
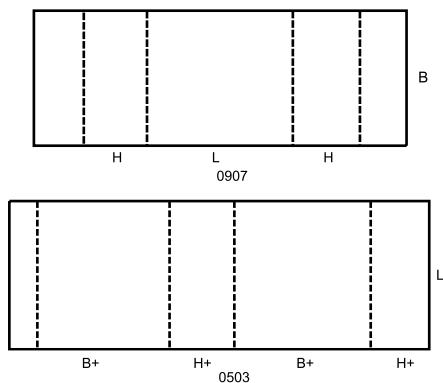
0507

M



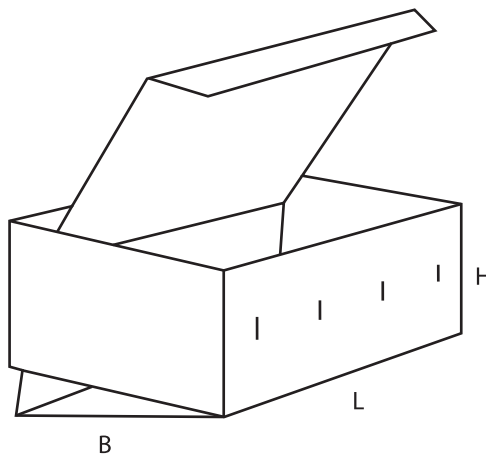
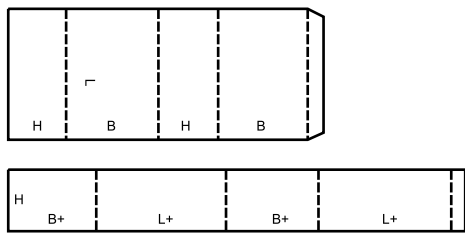
0509

M



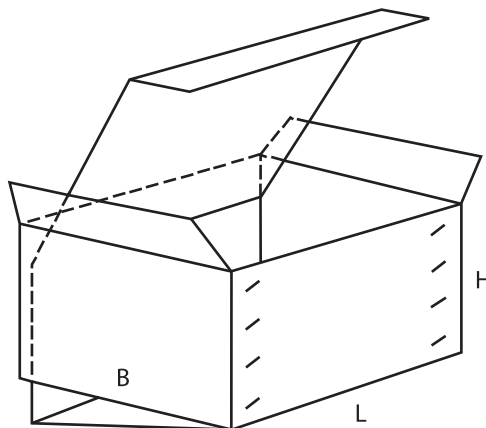
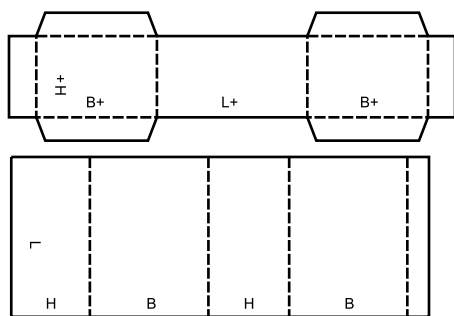
0510

M



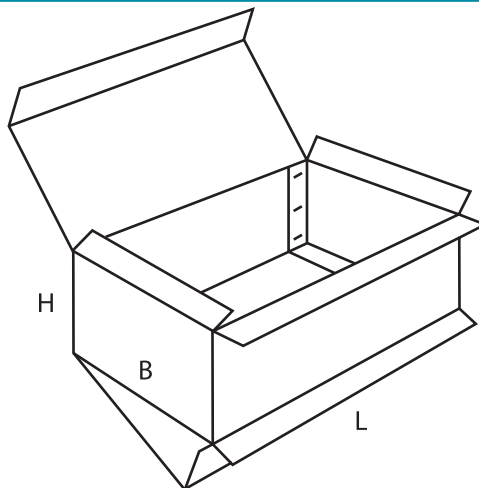
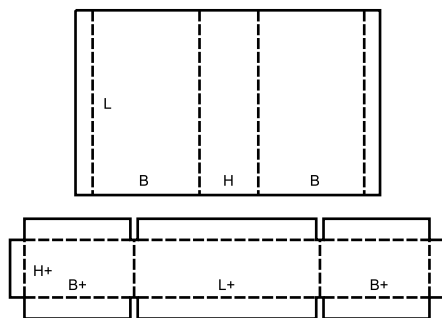
0511

M



0512

M



# 0600

▲ **Rigid-type boxes** consist of two separate end pieces and a body and require stitching or a similar operation before they can be used.

▲ **Caisses rigides** constituées de plusieurs pièces nécessitant un assemblage avant emploi.

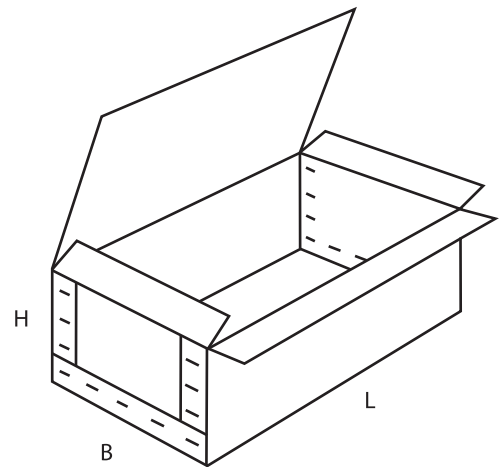
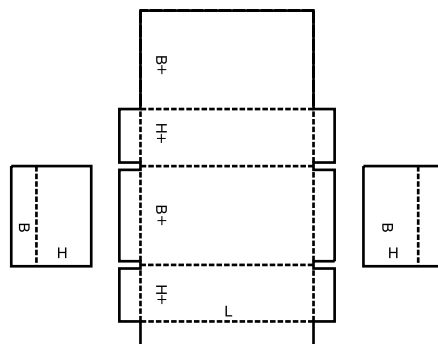
▲ **Formfeste Schachteln** bestehen in der Regel aus zwei Seitenteilen und einem Mittelteil, das Boden und Dekkel bildet. Diese Schachteln können als vorbereitete Zuschnitte geliefert werden und sind dann vom Verbraucher durch Drahtheftung zu verbinden.

▲ **Casse rigide:** Imballaggi rigidi composti da due pezzi laterali separati e un corpo, e richiedono una fase di cucitura o altro prima di essere utilizzati.

▲ **Cajas de tipo rígidas:** formadas por dos piezas separadas, para los extremos y un cuerpo; requieren un grapado u otra operación similar antes de que puedan utilizarse.

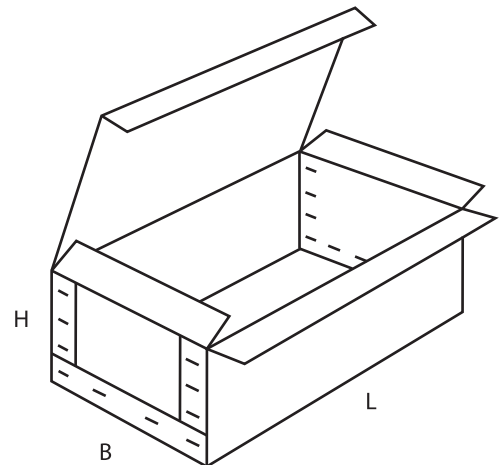
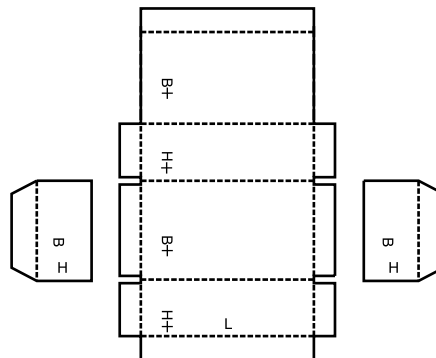
## 0601

A



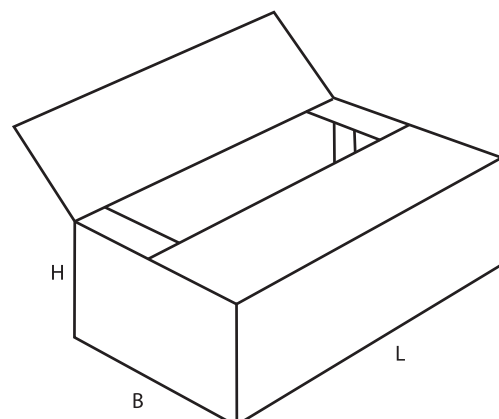
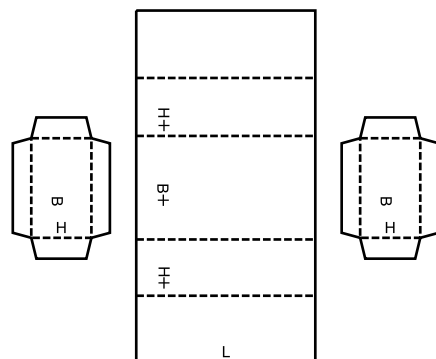
## 0602

A



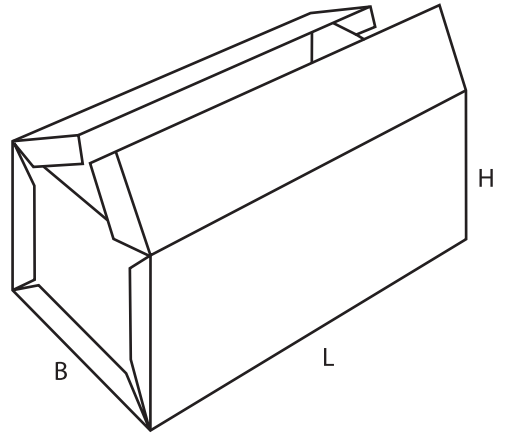
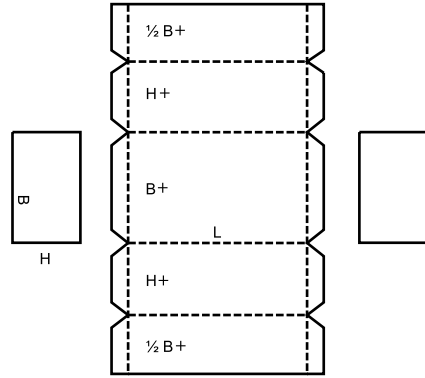
## 0605

A



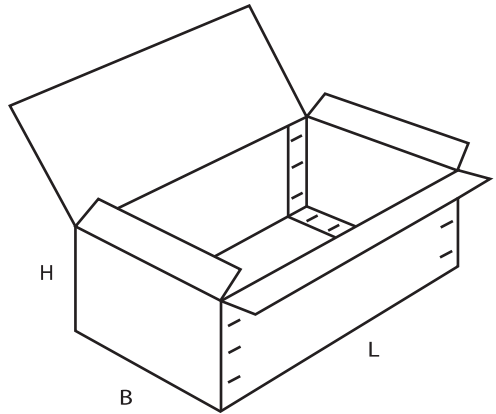
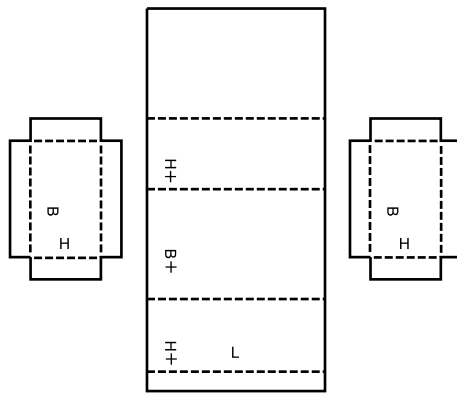
0606

A



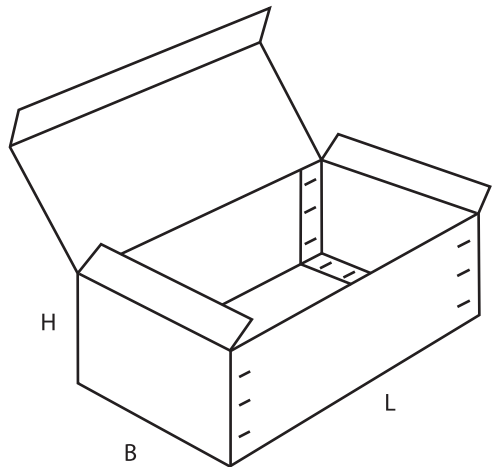
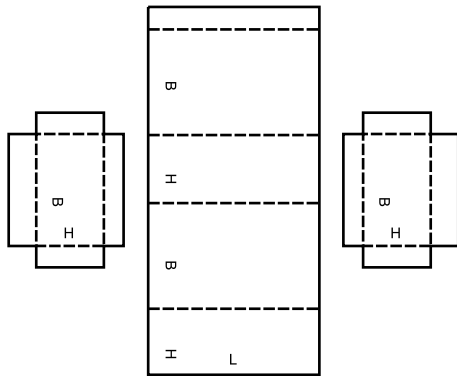
0607

A



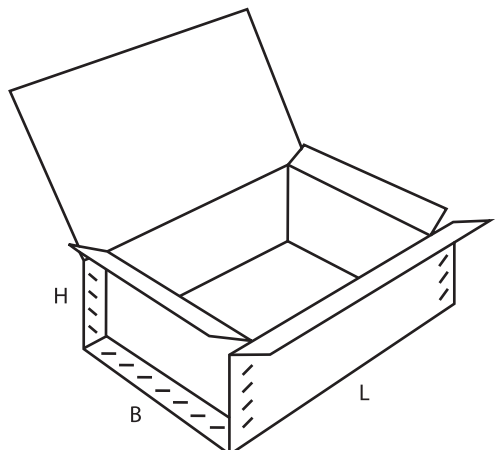
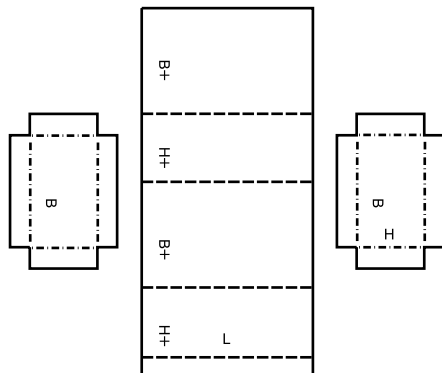
0608

A



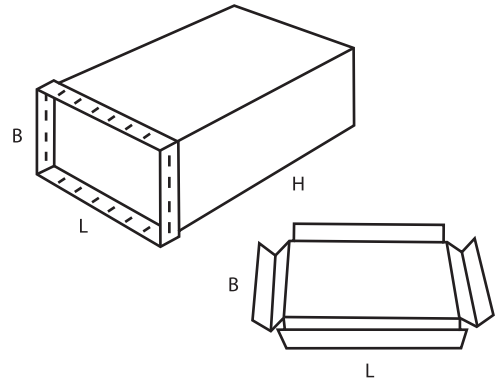
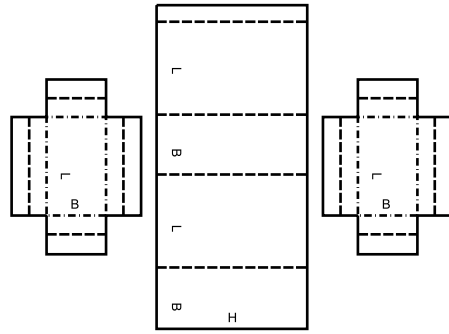
0610

M/A



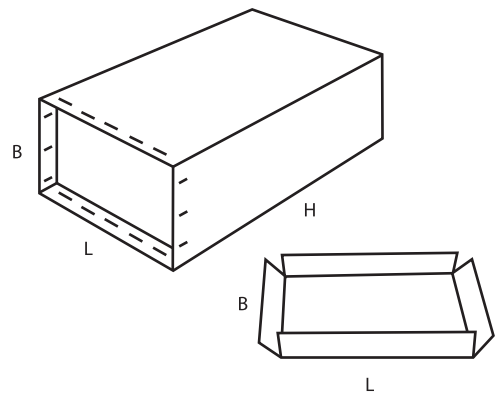
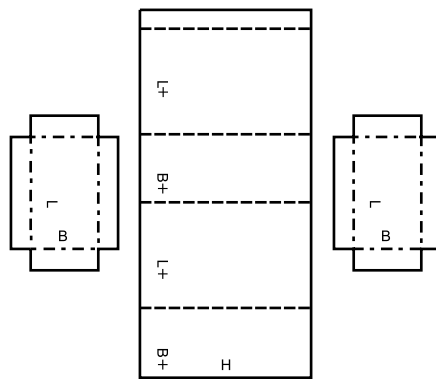
0615

M/A



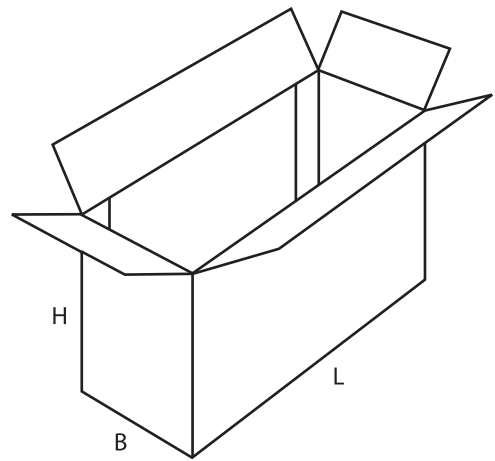
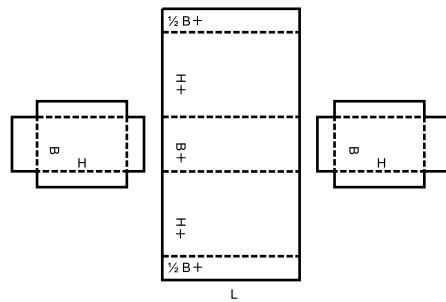
0616

M/A



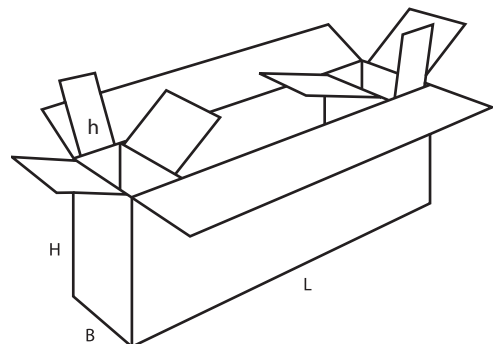
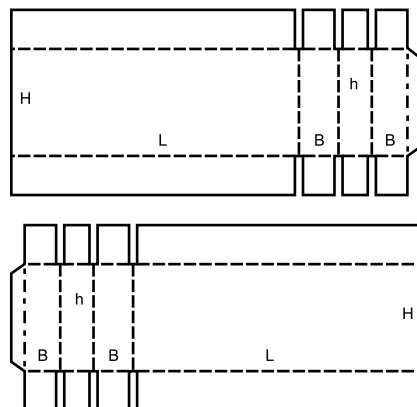
0620

A



0621

M





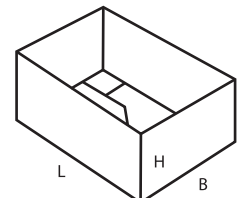
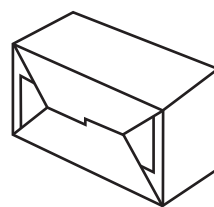
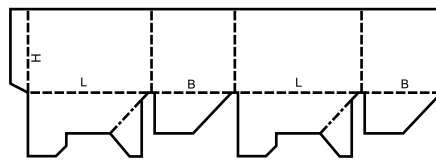
# 0700

- ▲ **Ready-glued** cases consist of basically one piece, are shipped flat and ready to use by simple setting up.
- ▲ **Caisses collées** prêtes à l'emploi, constituées en principe par une seule pièce, livrées à plat et prêtes à l'emploi après un simple montage.
- ▲ **Fertig geklebte** Schachteln sind einteilige, faltbare Schachteln, die zusammengelegt geliefert und durch einfaches Aufrichten gebrauchsfertig aufgestellt werden. Die Schachteln können mit einem Faldboden (Faldbodenschachtel) oder mit Diagonalbiegung (Aufrichteschachtel) ausgerüstet sein.

- ▲ **Casse incollate e pronte all'uso:** Imballaggi incollati già pronti composti in genere da un pezzo, sono consegnati piegati e sono pronti per l'uso tramite una semplice fase di montaggio apertura.
- ▲ **Cajas de encolado rápido:** están hechas generalmente de una sola pieza, se entregan extendidas en un plano o plegadas y listas para su utilización por medio de un sencillo montaje.

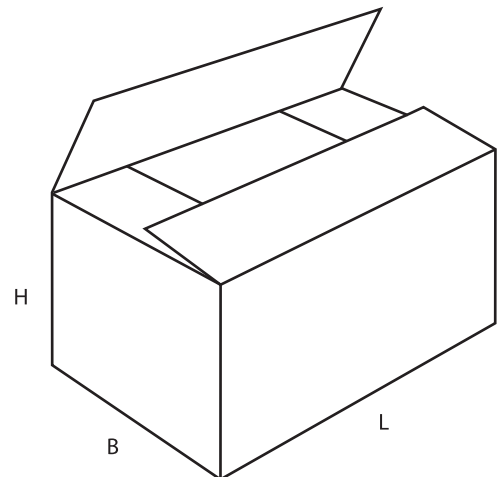
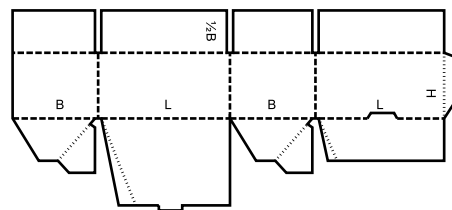
0700

M



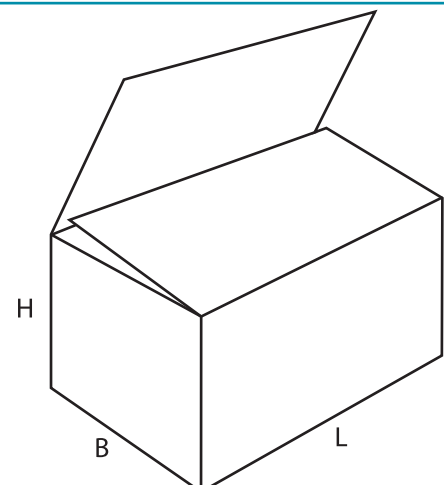
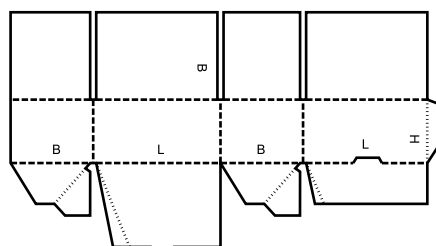
0701

M



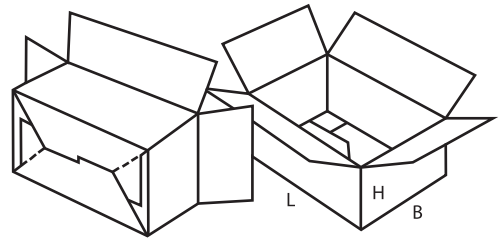
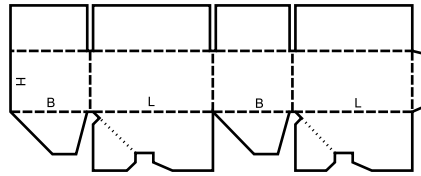
0703

M



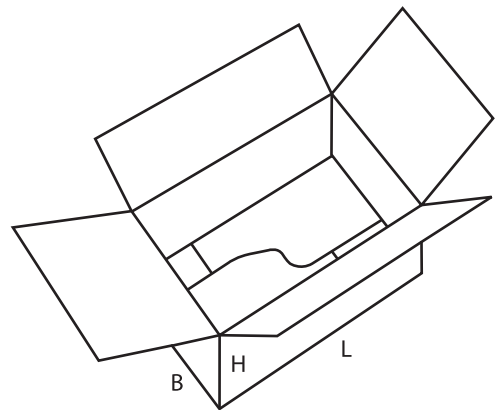
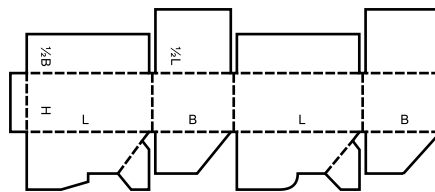
0711

M



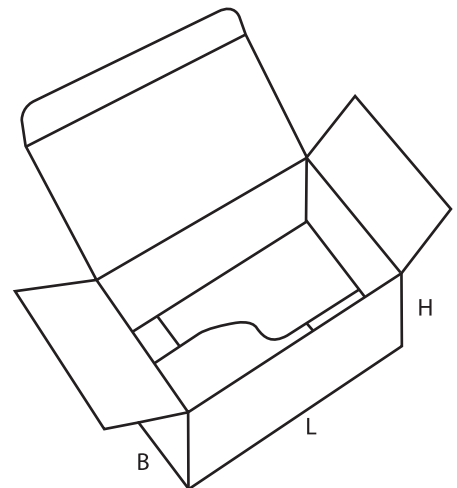
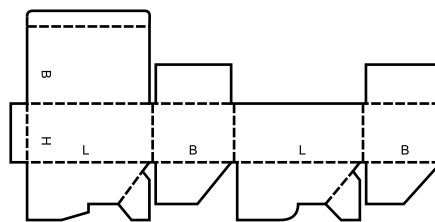
0712

M



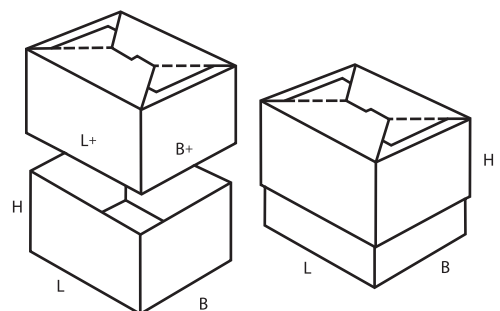
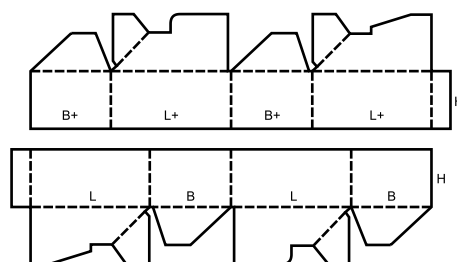
0713

M



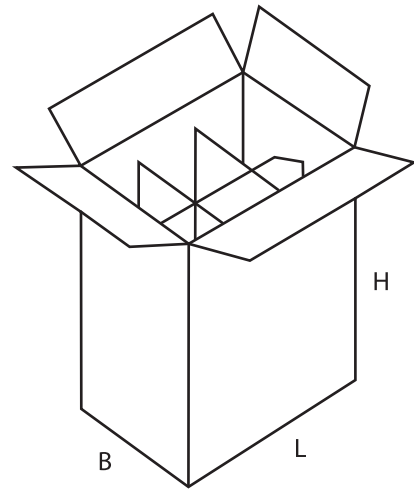
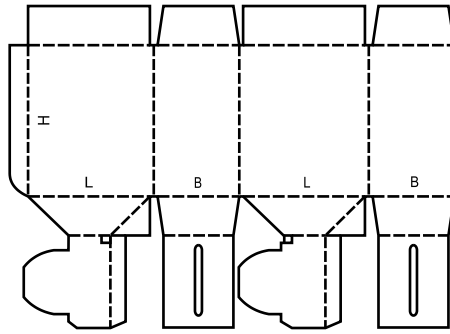
0714

M



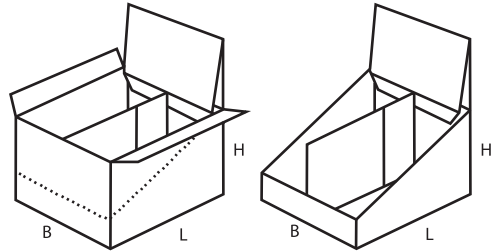
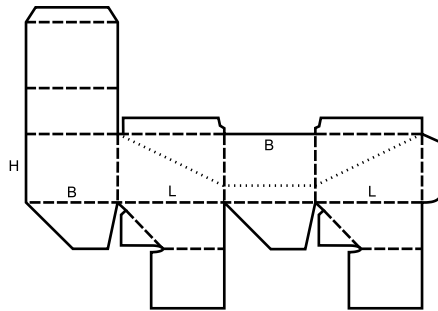
0715

M



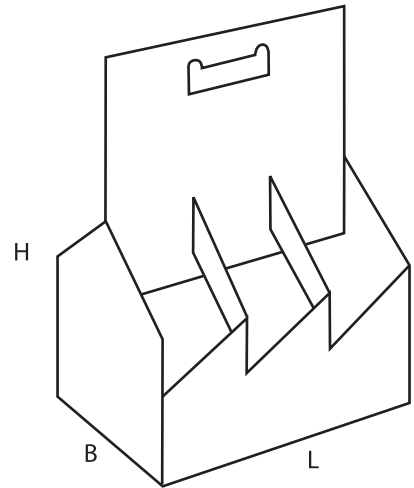
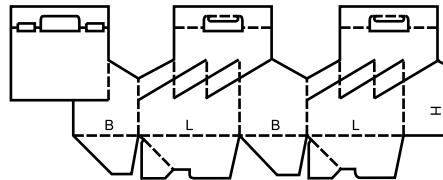
0716

M



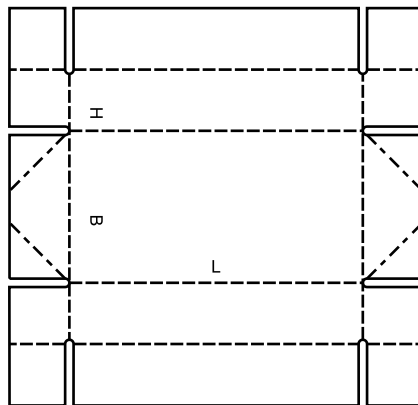
0717

M

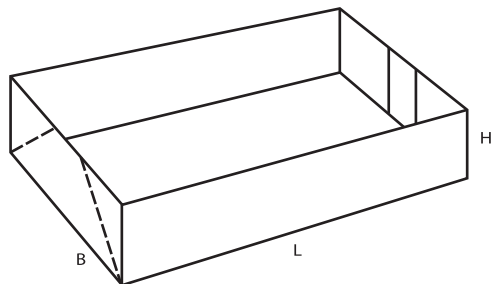


0718

M

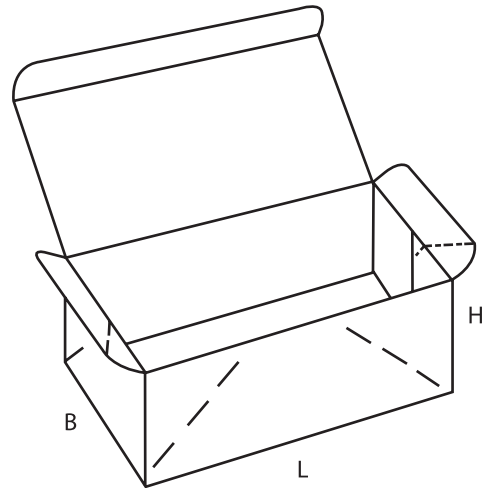
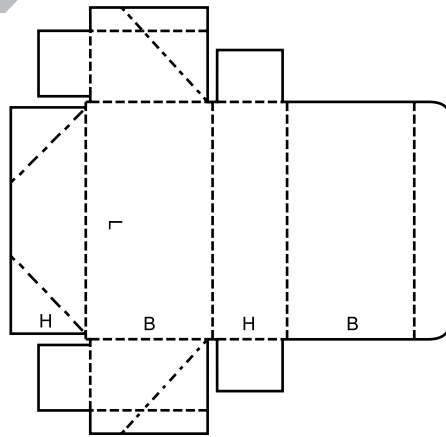


$B \geq 2H$



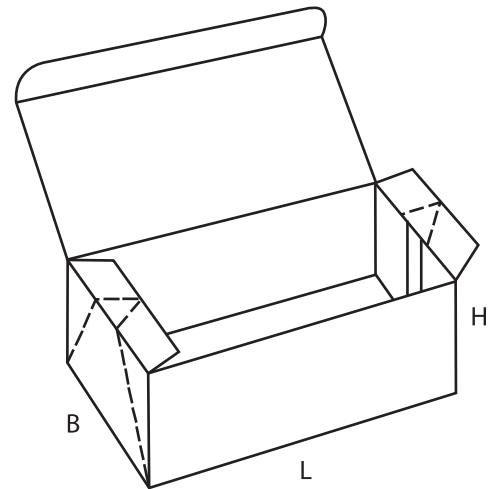
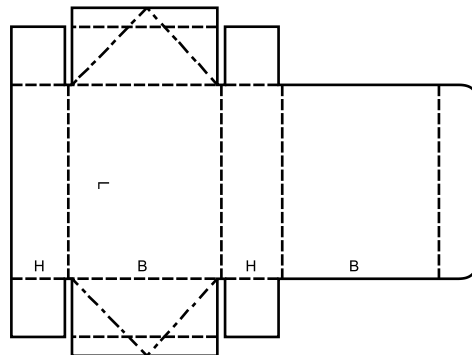
0747

M



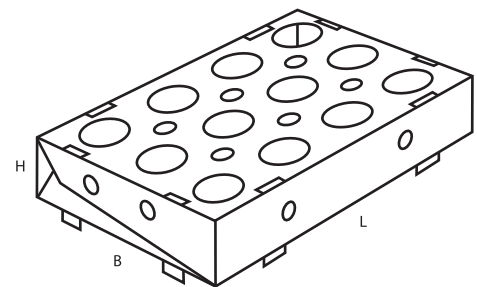
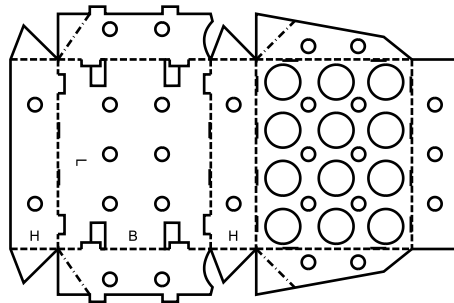
0748

M



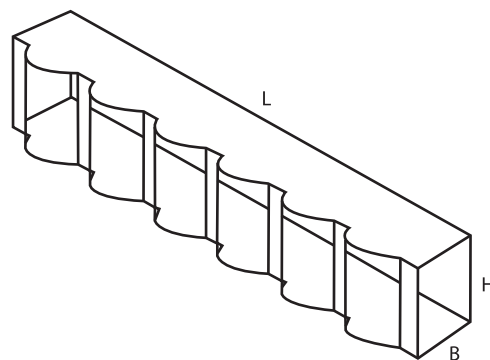
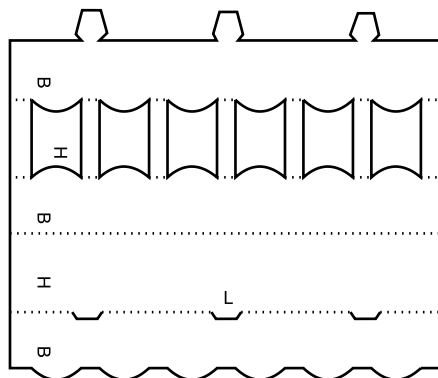
0751

M



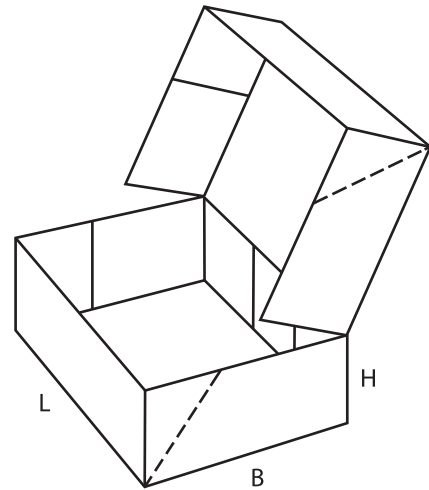
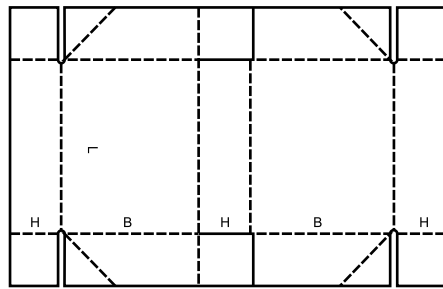
0752

M/A



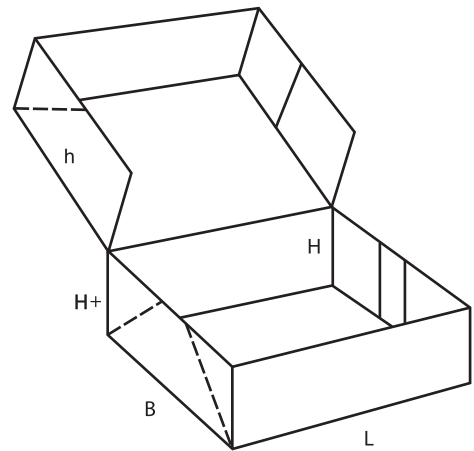
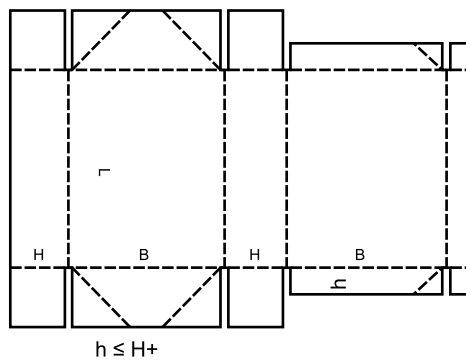
0759

M



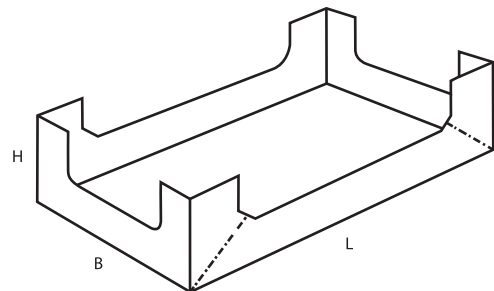
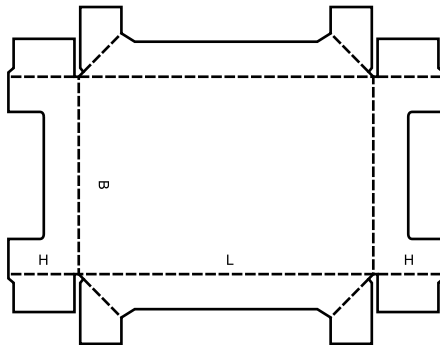
0761

M



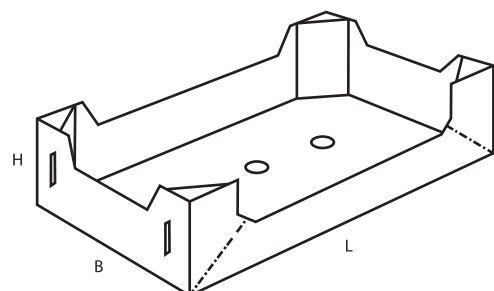
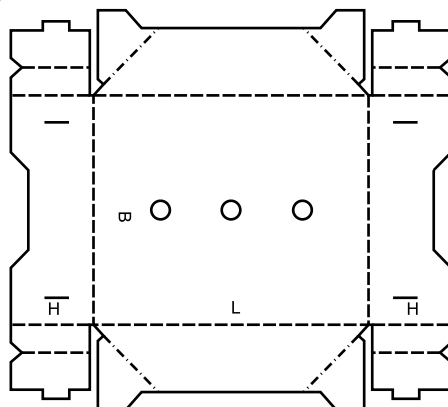
0770

M



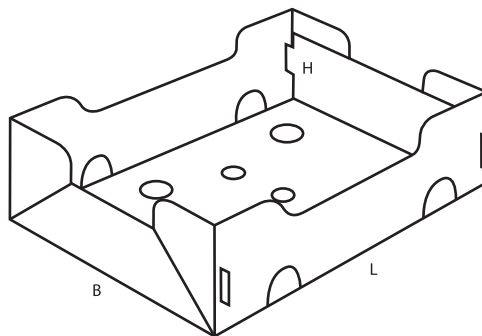
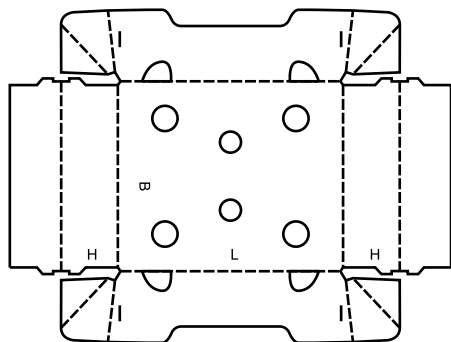
0771

M



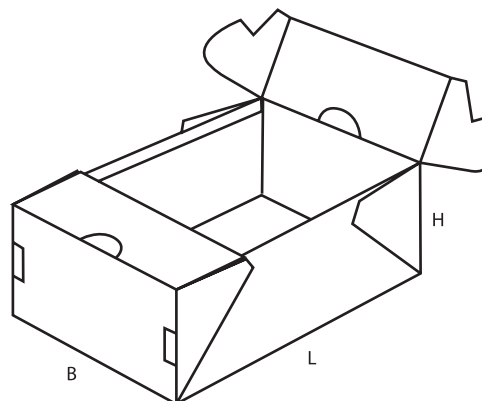
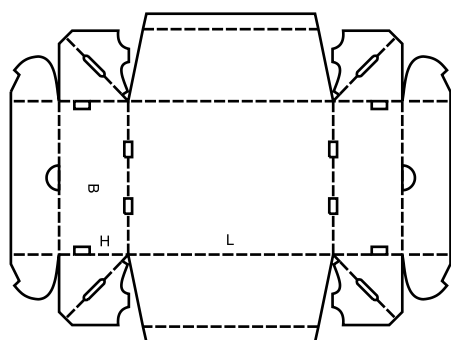
0772

M



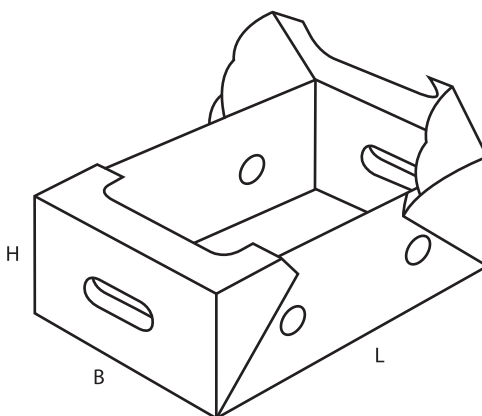
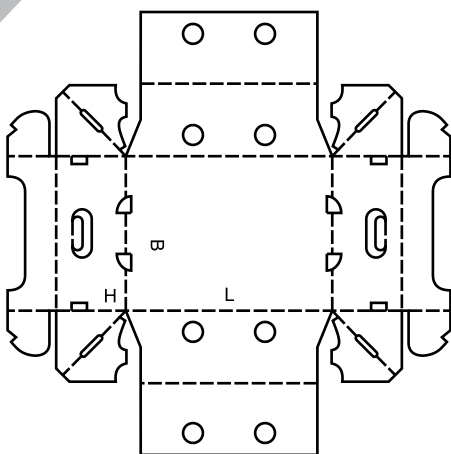
0773

M



0774

M



# 0900

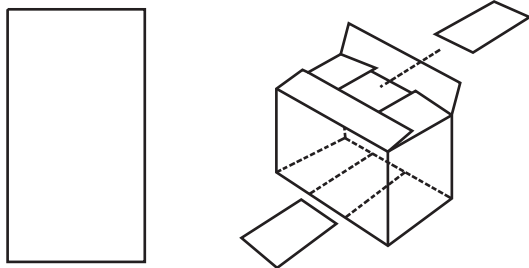
- ▲ **Interior fitments** such as inside liners, pads, partitions, dividers etc., whether tied to Case Design or as singular items. Any shown number of panels is arbitrary and may be increased or decreased as required.
- ▲ **Conditionnement intérieur**, tel que doublures intérieures, rembourrages, casiers, cloisons, etc ... , faisant partie du modèle de caisse ou utilisés comme éléments indépendants. Tout nombre de panneaux indiqué est arbitraire et pourra être augmenté ou diminué selon les besoins.
- ▲ **Inneneinrichtungen** wie Einlagen, Einsätze, Stege, Trennwände, Gefache, Polster und dgl., ob mit der Kiste fest verbunden oder als getrennte Elemente.

Zahlenangaben für Wände sind beliebig und können ggf. höher oder niedriger ausfallen.

- ▲ **Protezioni interne:** Pezzi interni come fodere interne, imbottiture, separatori, divisori ecc., sia come accessori ad un imballaggio, sia come articoli a se stanti. I numeri di pannelli che compaiono nei disegni sono arbitrari e possono essere diminuiti o aumentati secondo le esigenze.
- ▲ **Acondicionadores interiores:** como forros, refuerzos, casilleros, divisiones interiores, tanto si se ajustan a un modelo de caja o como piezas sueltas. El número de piezas de los acondicionadores interiores mostrados es arbitrario y puede aumentarse o disminuirse de acuerdo con las necesidades.

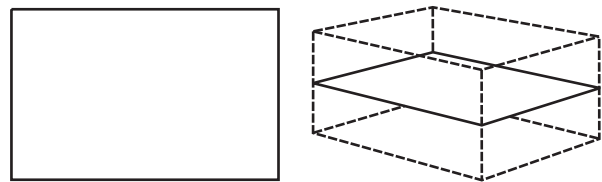
0900

M



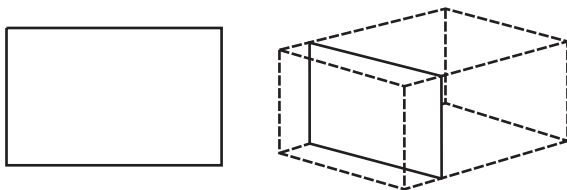
0901

M



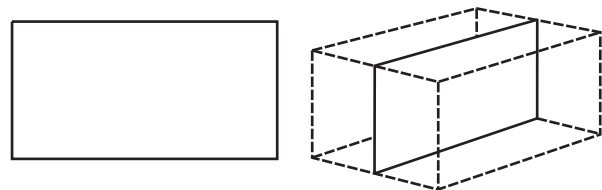
0902

M



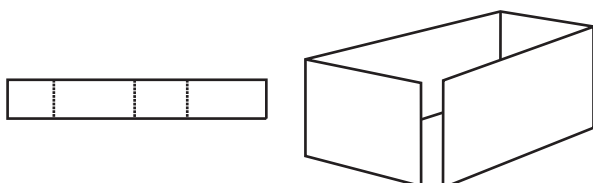
0903

M



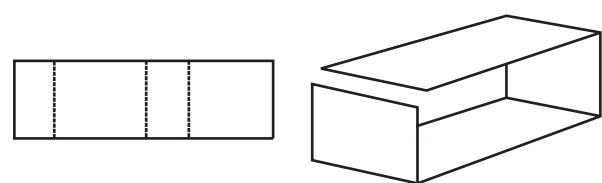
0904

M



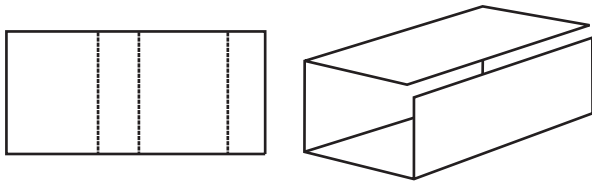
0905

M



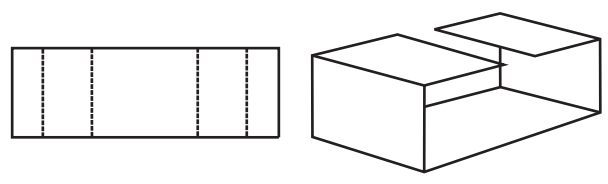
0906

M



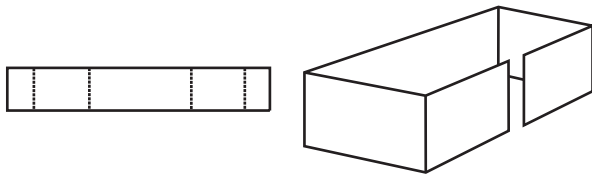
0907

M



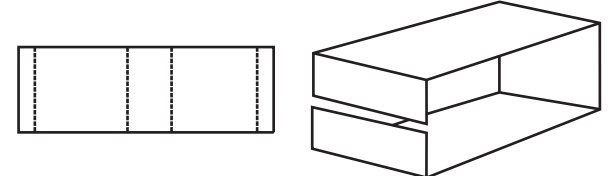
0908

M



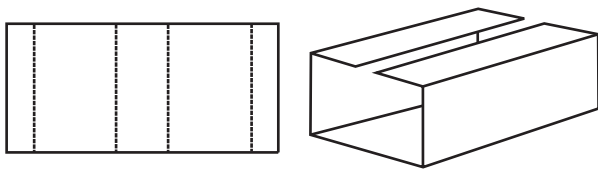
0909

M



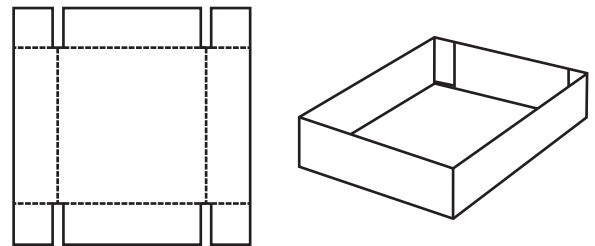
0910

M



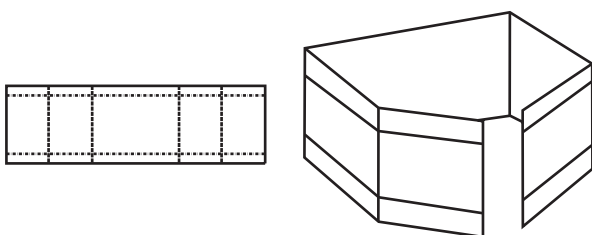
0911

M



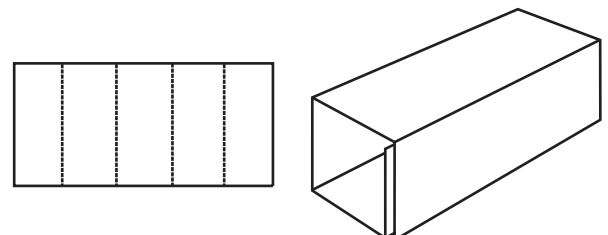
0913

M



0914

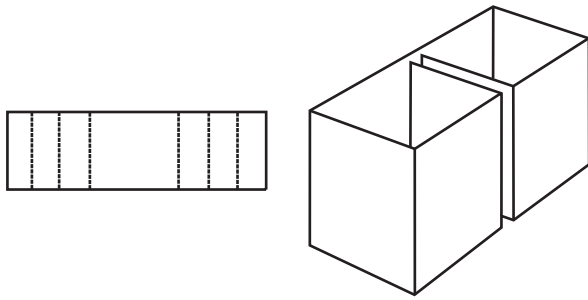
M





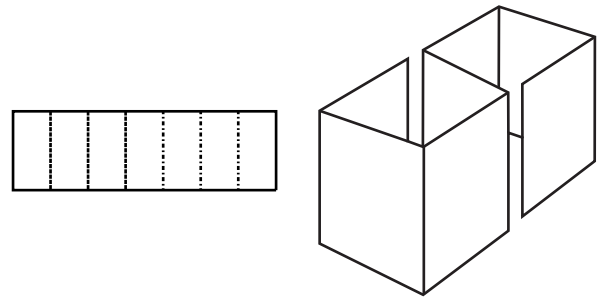
0920

M



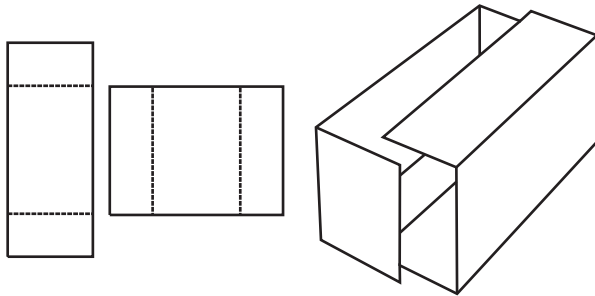
0921

M



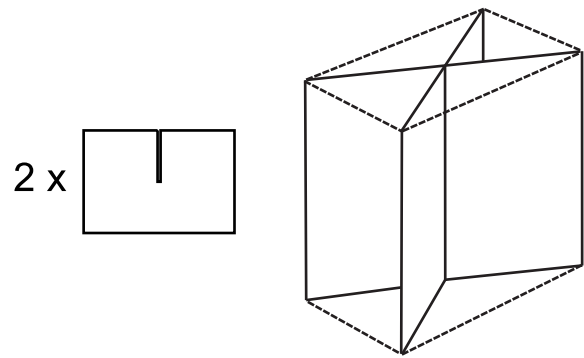
0929

M



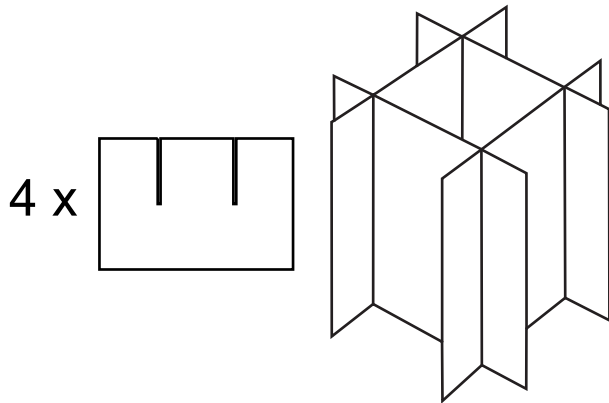
0930

M



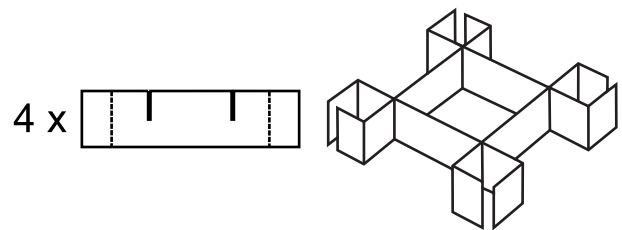
0931

M



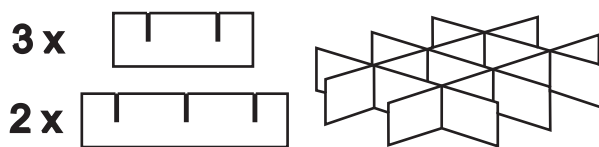
0932

M



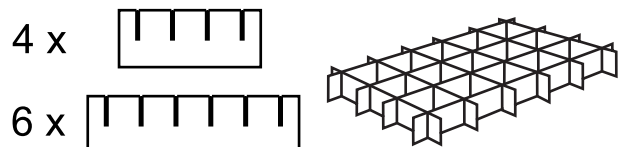
0933

M



0934

M



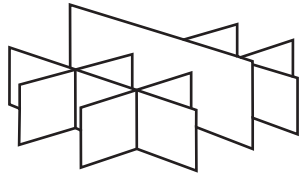
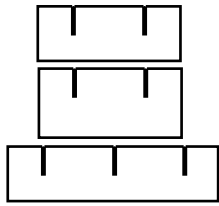
0935

M

2 x

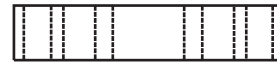
1 x

2 x



0940

M



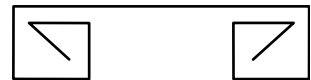
0941

M



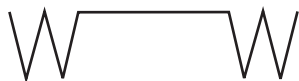
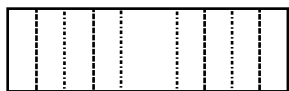
0942

M



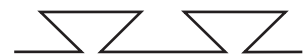
0943

M



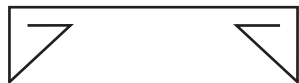
0944

M



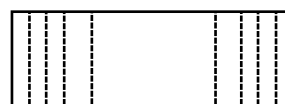
0945

M



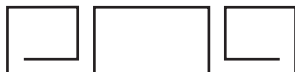
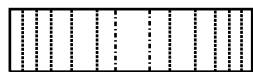
0946

M



0947

M



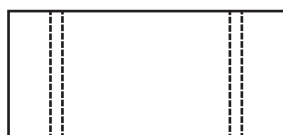
0948

M



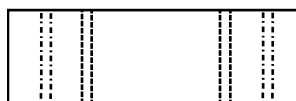
0949

M



0950

M



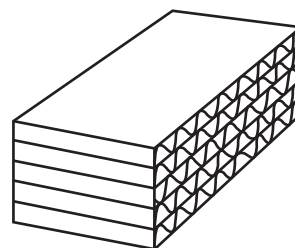
0951

M



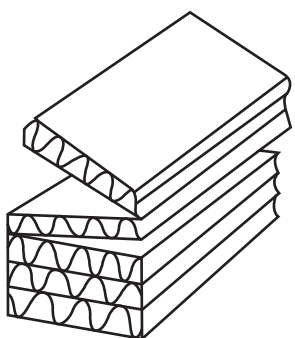
0965

M



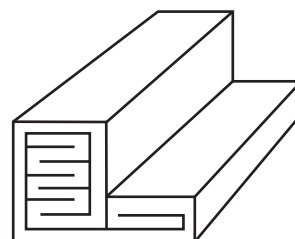
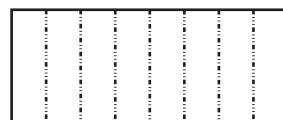
0966

M



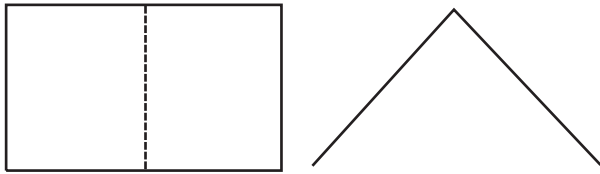
0967

M



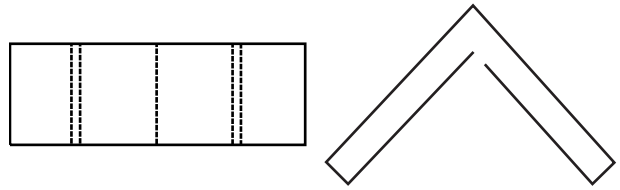
0970

M



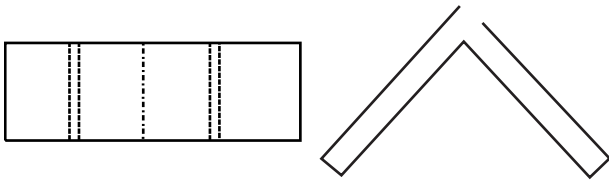
0971

M



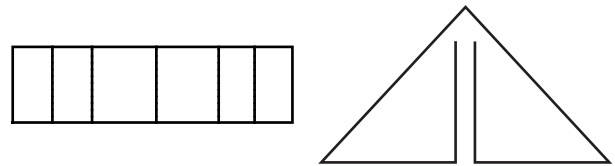
0972

M



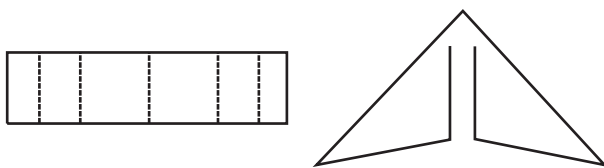
0973

M



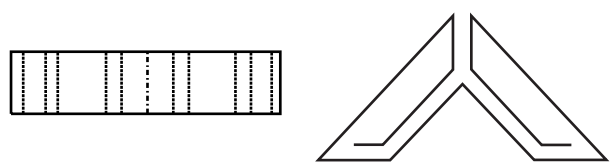
0974

M



0975

M



0976

M

